

# 1. ASSEMBLY PARTS LIST

ITEM	Q' TY	PART NAME	DESCRIPTION
1	3	PLASTIC BUSHING	ANCHOR (ø6.0mm)
2	2	MACHINE SCREW	UNC #8-32 SCREW (L=8mm)
3	1	PLATE	GI 1.6t
4	1	MOUNT BASE	PF 1", ALUMINUM
5	3	SCREW TAPPING	M6, L = 35.0mm
6	1	PIPE (90° ANGLE TYPE)(Option)	PF 1", ALUMINUM
7	1	PIPE (STRAIGHT)(Option)	PF 1", ALUMINUM
8	1	HOUSING	PF 1", ALUMINUM
9	1	GASKET 1	for VF
10	1	GASKET 2	for VF1, VS1, VS2, VP
11	4	TORX SCREW	T-20 (M6 x 20.0)
12	2	SET SCREW	M5 x 5.0mm
13	1	SEAL TAPE	TEFLON
14	3	MACHINE SCREW	M6 x 12.0
15	1	SPECIAL SCREW	for VF, VP
16	1	TORX WRENCH	T-20
17	1	L-WLENCH	

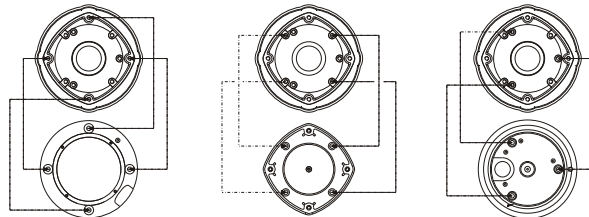
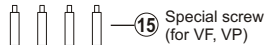
# 2. INSTALLATION

- Attach the mounting base (4) and plate (3) to the ceiling or wall using the supplied M6 tapping screws (5) and plastic bushings (1) (Please refer to page 3 for fabrication method of plate)
- Wind Teflon tape (13) around both threaded ends of the pipe (about 20times) for sealing. If necessary, use a silicone rubber sealant to seal the area where the mount base and the pipe meet.
- Fit the pipe (of which threads are covered by teflon tape) into the mount base (4) and turn until it is securely fastened.
- Pull all the required cables through the mount base (4) and pipe (6, 7).
- Align the housing (8) with the pipe and turn until it is securely fastened.
- Fasten the mount base (4), housing (8) using the set screw (12).
- Install the vandal proof dome housing to the housing (8) using M6 torx screws (T-20) (11).

\*Fit the screw holes of vandal dome housing into the screw holes of housing (6) and screw up the M6 torx screws



\*Screw up the special screw (15) before install the vandal proof dome housing.

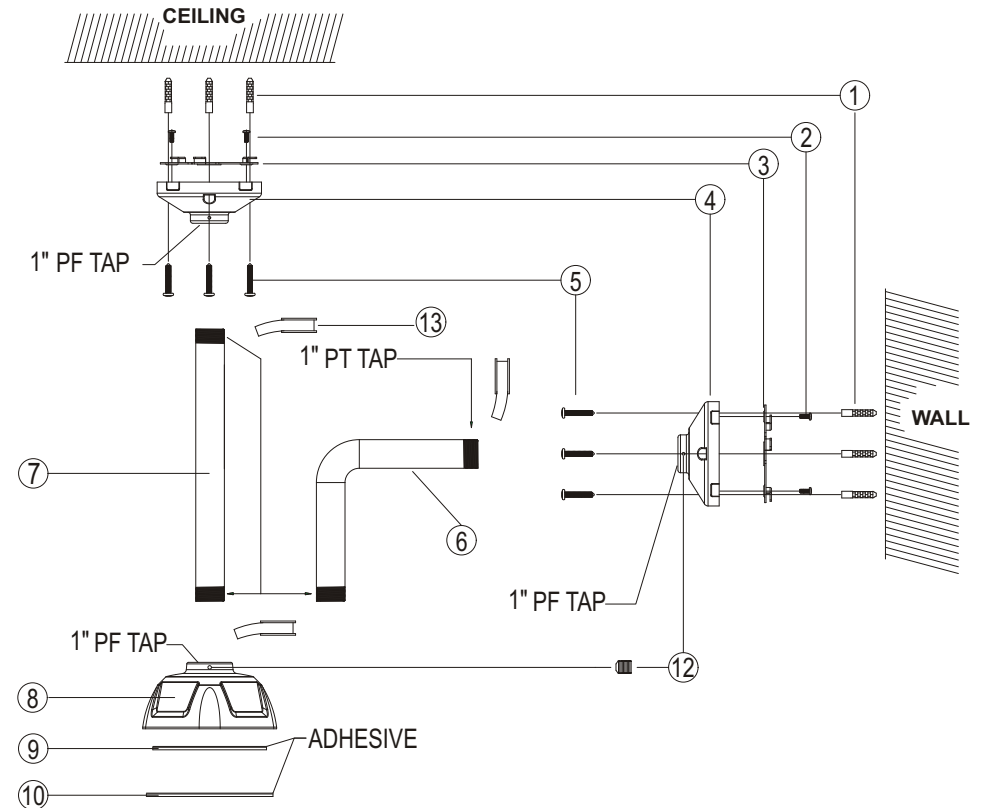


VS2/VS1/VF1/VS4

VF

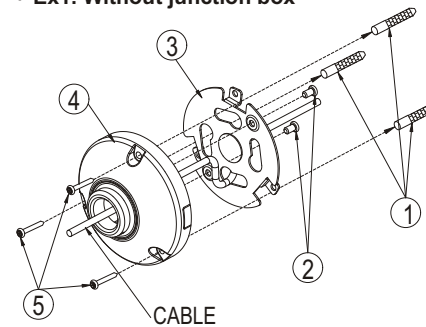
VP

# EXPLODE VIEW



# How to install the plate

• Ex1. Without junction box



\* ATTENTION TO THE PLATE SIDE.

• Ex2. With junction box

