

## Professional Color LCD Monitors



### Features

- Professional 17" and 19" LCD monitors with narrow bezel design
- Video (BNC & Y/C) with looping outputs and PC input for flexible system integration
- High Brightness and High Contrast ratio
- Long life Backlight
- Exceptionally fast response time
- Excellent visibility with wide viewing angles
- Super slim/thin and lightweight
- On screen menus
- 5 language selections including English, French and Spanish
- Full set of video controls
- 100mm pitch VESA wall mount compatible
- Desktop stand included

### Product Summary

The LCD P monitor series are narrow bezel monitors designed for limited space applications where they can function as CCTV and PC monitors. The narrow bezel design and removable desk stand make the monitors perfect for use as a public-view-monitor (PVM).

The 1280x1024 VGA interface (cable included) is the recommended interface to use with Digital Video Recorders or with a PC for high quality video reproduction. Composite and S-VHS Video inputs provide direct connection with all professional video systems. The video input can be switched using the front menu button and selecting the appropriate input channel.

The LCDs are available in 17", and 19" models with a slim bezel and lightweight plastic housing. An integrated desk stand is included, or the monitor may be mounted using the optional 100mm VESA standard wall and ceiling mounts.

The monitor offers a clean aesthetic appearance and offers excellent visibility with wide viewing angles.

### LCD Mounts

The A-CSx775E series ceiling mounts (available in both white and black colors) feature an extended pole design permitting fixed installation lengths of 26.4", 31.5" or 36.6". The interior pole may also be used as a fixed 19.7" length or may be replaced with a purchased 1,1/4" NPT pole and using a standard 1,1/2" to 1,1/4" NPT reducer, be configured for custom installation lengths. The adjustable swivel head permits 180° pan and +/- 15° tilt adjustments and is capable of supporting loads up to 20 lbs (9.0kg). The included pipe features a cable-feed-through access to conceal wiring. The mount conforms to VESA 100mm standard.

The A-CSx775E mount must NOT be used for wall mount applications.

The A-CSx780 series ceiling mount (available in both white and black colors) feature a standard 75mm and 100mm VESA plate, swivel head design and 1-1/4" NPT female thread pipe adaptor. These mounts are intended to be used with existing or new down pipe for custom length pipe installations.

The A-CS777 is a wall-mount with 3-axis of rotation (+/-180° in both X and Y and 270° in the Z direction) permitting various LCD view angles and is capable of supporting loads up to 24 lbs (11kg). The mount conforms to VESA 75mm and 100mm standards. The design permits easy installation using a detachable wall bracket and supplied VESA mount screws.

### Ordering Guide

SCN#	Item
<b>M170CP</b>	17" LCD Monitor, 1280x1024, composite, VGA, narrow bezel
<b>M190CP</b>	19" LCD Monitor, 1280x1024, composite, VGA, narrow bezel

## Specifications

### Model

M170CP	17" LCD panel
M190CP	19" LCD panel

### Electrical

	M170C	M190C
LCD Panel	17.0 inches TFT LCD Panel	19.0 inches TFT LCD Panel
Active Display Area	17.0 inches	19.0 inches
Viewing Area	377.9mm x 270.3mm	376.3mm x 301.0 mm
Pixel Format	1280 (H) x 1024 (V)	1280 (H) x 1024 (V)
Filter Type	RGB vertical stripe	RGB vertical stripe
Pixel Pitch	0.264mm x 0.264mm	0.294mm x 0.294mm
Color Depths	8 Bit / 16.7M Colors	8 Bit / 16.7M Colors
Contrast Ratio	1000: 1 (Typical)	1000 : 1 (Typical)
Brightness	300 cd/m2 (Typical)	300 cd/m2 (Typical)
Viewing Angles (L/R/U/D)	80°/ 80°/80°/ 80°/ (Typical)	80°/ 80°/80°/ 80°/ (Typical)
Light Source / Lifetime	4CCFL / 50,000Hrs (Minimum)	4CCFL / 40,000Hrs (Minimum)
Response Time	5ms	5ms

### Video

Video Mode	NTSC/PAL (Auto selection)
Video Input Signals	
Composite	1.0Vp-p, 75-Ω
S-Video	Luminance: 1.0Vp-p, 75Ω Chrominance: 0.3Vp-p, 75Ω
Video Input Connector	
Composite	BNC x 2
S-Video	4 Pin Mini-Din x 2
Resolution	More than 500 Lines
PC	
Input Signal	Analog RGB (0.714Vp-p, 75Ω), H & V Sync (TTL)
Input Connector	15 pin D-sub
Input Resolution	VGA: 640 x 480 / 60 ~ 75Hz SVGA: 800 x 600 / 56 ~ 75Hz XGA: 1024 x 768 / 60 ~ 75Hz SXGA: 1280 x 1024 / 60Hz

### General

User Controls	Bright, Contrast, Tint, Color, Sharpness
OSD Language	English / French / German / Italian / Spanish
DC Power Connector	12VDC, 2.0A
Dimensions (W x H x D)	382.5 x 332 x 56.7mm 15.05" x 13.07" x 2.2"
Weight	5.20Kg (11.44 lbs) 5.5Kg (12.21lbs)
Operating Temperature	0° ~ +40°C (32° - 104°F)
Case Material	Plastic
Accessories	AC Adaptor, VGA cable, Power Cord, Manual
Mount	100mm x 100mm VESA

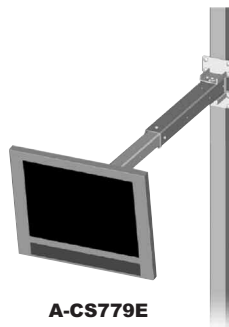
### Optional Accessories

A-CS777	Mount, LCD, wall, 75/100mm VESA, 2-knuckle
A-CSW775E	Mount, LCD, ceiling, 75/100mm VESA, extended pole 26" to 36" adjustable, white
A-CSB775E	Mount, LCD, ceiling, 75/100mm VESA, extended pole 26" to 36" adjustable, black
A-CSW780	Mount, LCD, ceiling, white, 1-1/4" NPT
A-CSB780	Mount, LCD, ceiling, black, 1-1/4" NPT
A-CS779E	Mount, LCD, 2.5" channel, adjustable

Specifications are subject to change without notice.

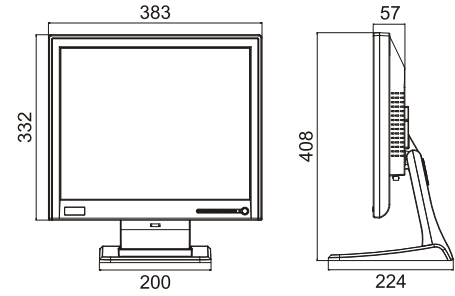


A-CS777

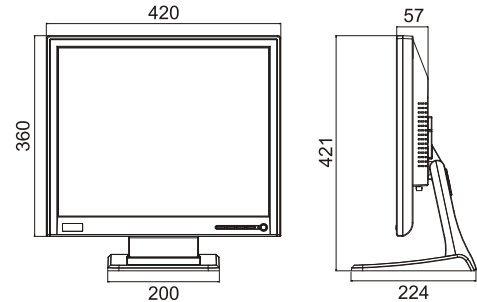


A-CS779E

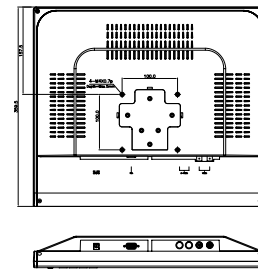
### Dimensional Drawings



M170CP



M190CP



Rear Dimensional  
M170CP & M190CP



A-CSW780 A-CSB780



A-CSW775E A-CSB775E

