



High Speed, 700TVL, WDR, Mini-22x PTZ Dome

KEY FEATURES AND BENEFITS

- 22x motorized zoom lens (3.9-85.8mm)
- 700TVL high resolution camera
- Pre-assembled with environmental housing, heater, blower and wall mount
- 8 Tours such as Preset, Pattern, and Auto-Scan can be programmed with over 300 functions and Preset locations
- 16 Auto Scans with normal, vector, random and endless Auto-Pan with 13 speed steps
- 8 Patterns and 8 Privacy zones
- 240 preset positions
- WDR functionality for high contrast lighting conditions
- Built-in 16x digital zoom with True Night Shot function
- 4 Alarm input / 1 output
- Variable panning speed from 0.1°/sec to 380°/sec.
- Multi-language Menu Display, Password Confirmation
- Built-in RS-485 receiver driver
- Pre-wired, Through-Mount-Wiring (TMW)
- 24VAC / 12VDC for dome; 24VAC for heater/fan
- Parapet, roof and pendant mount options
- 360° continuous rotation

ORDERING INFORMATION

SCN#	Item
P722MWEX	700TVL, WDR, Mini-22x PTZ, Wall Mount, Environmental Housing



Business Solutions

High Speed, 700TVL, WDR, Mini-22x PTZ Dome

Product Specifications

Module

CCD Type	1/4" Super HAD CCD II
Optical / Digital Zoom	22X / 16X
Resolution	700TVL
Focal length	3.9mm~85.8mm
Angle of view	3.9mm~49.5°(H) 85.8mm~2.4°(H)
F-Number	F1.6~F3.7

Min. Illumination

Normal	0.1 Lux
ICR on & Slow Shutter	0.00001 Lux
ICR on (Day & Night)	YES
WDR	YES
Motion Detection (in PRESET)	YES

Dome

Tilt angle	0° ~ 180° (Digital Flip)
Image Flip	YES
Auto Calibration	0.1° ~ 6°
Panning angle	360 continuous rotation
Alarm	4 input (NC/NO), 1 output (5V TTL)
Auto Scan	1 auto pan & 16 auto scan capability
Preset	240 presets with individual camera AE setup
Pattern	8 patterns (recording up to 200 sec.)
Tour	8 tours (consist of 42 functions/1 tour)
Max Speed	380° sec
Area Title	Divided into 16 areas with 12 characters each
Privacy Zone	8 privacy zone masking (2 methods selectable: Block / video off)

Electrical

Power Source	12VDC / 24VAC +/- 10% (Dome) 24VAC +/- 10% (Heater/Fan)
Power Consumption	45W (Dome, Heater, Fan)
Control	RS-485, baud rate: 2400~19.2k bps (default: 9600bps)
ID (Camera Address)	1~255

Environmental

Operating temperature	-22°F - 122°F (-30°C - 50°C)
Operating humidity	0 to 90%RH (non-condensing)
Storage temperature	-4°F - 140°F (-20°C - 60°C)
Environmental Rating	IP66

Mechanical

Dimension	See dimensional drawings
Weight	9.3lbs (4.2kg)

Certifications

CE EMC, UL, CSA, FCC, RoHS

Specifications subject to change without notice.

Optional Accessories

A-CM150	Corner mount adapter, white
A-CM151	Pole mount adapter, white
PKBD	Keyboard Controller
A-PEXM	Pendant Mount Pipe
A-PPDM	Pendant Mount Adapter
PM304	Parapet and roof mount, white



A-CM150



A-CM151



PM304

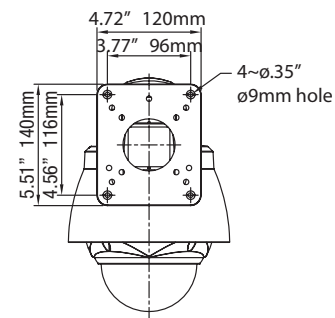
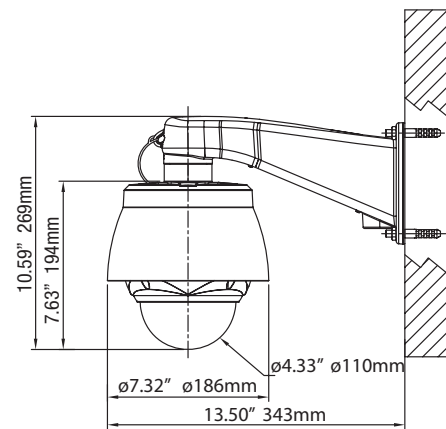


A-PEX



PKBD

Dimensions



P722MWEX

For more information visit www.ADT-Matrix.com

© 2015 ADT—All Rights Reserved. ADT Security Services Inc. ADT, the ADT logo and ADT Always There are registered trademarks of ADT Services AG and are used under license.

