



Series 4 High Speed 36x PTZ Dome

KEY FEATURES AND BENEFITS

- | | |
|--|---|
| <ul style="list-style-type: none"> • 36x motorized zoom lens (3.4-122.4mm) • 540TVL high resolution camera • Pre-assembled with housing and mount • 8 Tours such as Preset, Pattern, and Auto-Scan can be programmed with over 300 functions and Preset locations • 16 Auto Scans with normal, vector, diagonal and random scanning • 8 Patterns and 8 Privacy zones • Motion Detection (Bounding Box, Trace) • Auto and Cross Tracking • Pre-wired, Through-Mount-Wiring (TMW) | <ul style="list-style-type: none"> • Video Analytics Function include Cross, Enter, Abandon and Removal • DIS (Digital Image Stabilization) Function • 4 alarm inputs / 1 output • Variable panning speed from 0.1°/sec to 380°/sec. • Multi-language Menu Display, Password Confirmation • Built-in RS-485/422 receiver driver • 24VAC / 24VDC • Parapet roof and pendant mount options • Coaxial communication with Pelco's Coaxitron System |
|--|---|

ORDERING INFORMATION

SCN#	Item
P36WEX	Series 4 36x PTZ, Wall mount, Exterior housing



Business Solutions

Series 4 High Speed 36x PTZ Dome

Product Specifications

Module

CCD Type	1/4" EXview HAD CCD
Optical / Digital Zoom	36X / 12X
Resolution (NTSC/PAL)	540TVL
Focal length	3.4mm~122.4mm
Angle of view	3.4mm-57.8°(H) 122.4mm-1.7°(H)
F-Stop	F1.6-F4.5

Min. Illumination

Normal	1.4 Lux
Slow Shutter	0.1 Lux
ICR on & Slow Shutter	0.01 Lux
ICR on (Day & Night)	YES
WDR	YES

Dome

Tilt angle	-10° ~ 190° (Digital Flip)
Image Flip	YES
DIS (Digital Image Stabilization)	YES
Auto Calibration	0.1° ~ 6°
Panning angle	360° continuous rotation
Auto Scan	1 auto pan & 16 auto scan capability
Preset	240 presets with individual camera AE setup & Event
Pattern	8 patterns (recording up to 500 sec)
Tour	8 tours (consist of 42 functions/1 tour)
Speed	0.1° ~ 380° sec
Area Title	It can be divided 16 areas with 12 characters of title
Privacy Zone	8 privacy zone masking (2 methods selectable : Block / video off)
Video Analytics	Motion Detection, Cross, Enter, Abandon, Removal, Auto Tracking, Cross Tracking
Menu	GUI (Graphic User Interface)

Electrical

Input Voltage	18 to 30VAC; 24VAC nominal, 24VDC
Power Requirement	24VAC/24VDC 3A
Power Consumption	70W
Alarm Output	1 Normal relay 24VDC/1A Max. (selectable NC/NO)
Alarm Input	4 Normal dry contact (selectable NC/NO)
Control	RS-485/422 baud rate: 2400~38.4k bps (default: 9600bps); Pelco Coaxitron

Environmental

Operating temperature	-49°F - 122°F (-45°C - 50°C)
Operating humidity	0 to 90%RH (non-condensing)
Storage temperature	-4°F - 140°F (-20°C - 60°C)

Mechanical

Dimension	See dimensional drawings
Weight	13lbs (5.9kg)

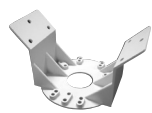
Certifications

CE EMC, UL, CSA, FCC, RoHS

Specifications subject to change without notice.

Optional Accessories

A-CM150	Corner Mount, white
A-CM151	Pole Mount, white
A-PPM	Parapet and Roof Mount, white
A-PEX	Pendant Mount, white
PKBD	Keyboard Controller



A-CM150



A-CM151



A-PPM

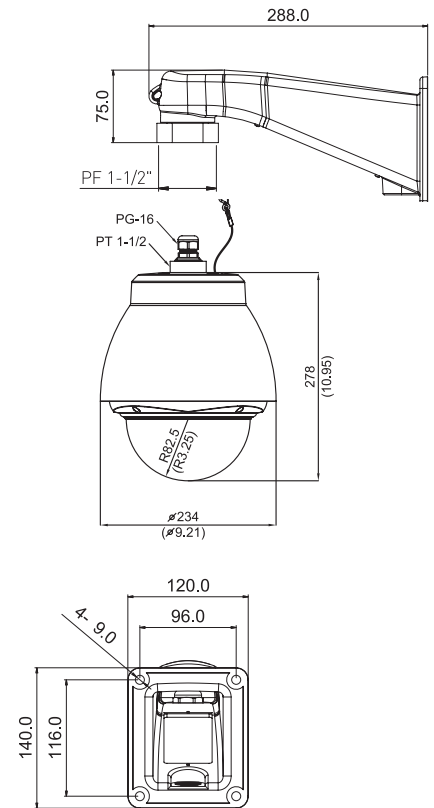


A-PEX



PKBD

Dimensions



For more information visit www.ADT-Matrix.com

© 2012 ADT—All Rights Reserved. ADT Security Services Inc. ADT, the ADT logo and ADT Always There are registered trademarks of ADT Services AG and are used under license.

