



Series 3 22x Mini PTZ Dome

KEY FEATURES AND BENEFITS

- 22x motorized zoom lens (3.9-85.8mm)
- 580TVL high resolution camera
- Pre-assembled with housing and mount
- 4 Tours such as Preset, Pattern, and Auto-Scan can be programmed with over 150 functions and Preset locations
- 4 Auto Scans with normal, vector, random and endless Auto-Pan with 13 speed steps
- 4 Patterns and 4 Privacy zones
- 120 preset positions
- Built-in 16x digital zoom with True Night Shot function
- 1 Alarm input / 1 output
- Variable panning speed from 0.1°/sec to 380°/sec.
- Multi-language Menu Display, Password Confirmation
- Built-in RS-485/422 receiver driver
- Pre-wired, Through-Mount-Wiring (TMW)
- 24VAC / 12VDC
- Parapet, roof and pendant mount options
- 360° continuous rotation

ORDERING INFORMATION

SCN#	Item
P22MWEX	Series 3 22x Mini PTZ, Wall Mount, Exterior Vandal Housing
A-P22MWIN	Series 3 22x Mini PTZ, Wall Mount, Interior Vandal Housing
A-P22MFC	Series 3 22x Mini PTZ, Flush Mount, Interior Vandal Housing



Business Solutions

Series 3 22x Mini PTZ Dome

Product Specifications

Module

CCD Type	1/4" EXview HAD CCD
Optical / Digital Zoom	22X / 16X
Resolution	580TVL
Focal length	3.9mm~85.8mm
Angle of view	3.9mm~49.5°(H) 85.8mm~2.4°(H)
F-Number	F1.6~F3.7

Min. Illumination

Normal	0.5 Lux
Slow Shutter	0.01 Lux
ICR on & Slow Shutter	0.001 Lux
ICR on (Day & Night)	YES
WDR	YES
Motion Detection (in PRESET)	YES

Dome

Tilt angle	0° ~ 180° (Digital Flip)
Image Flip	YES
Auto Calibration	0.1° ~ 6°
Panning angle	360 continuous rotation
Alarm	1 input (NC/NO), 1 TTL outputs
Auto Scan	1 auto pan & 4 auto scan capability
Pre-set	120 preset with individual camera AE setup
Pattern	4 patterns (recording up to 200 sec.)
Tour	4 tours (consist of 42 functions/1 tour)
Max Speed	380° sec
Area Title	Divided into 8 areas with 12 characters each
Privacy Zone	4 privacy zone masking (2 methods selectable : Block / video off)

Electrical

Power Source	12VDC / 24VAC +/- 10%
Power Consumption	
P22MWEX	45W
A-P22MWIN	5W
A-P22MFC	5W
Control	RS-485, baud rate: 2400~19.2k bps (default: 9600bps)
ID (Camera Address)	1~255

Environmental

Operating temperature	
P22MWEX	-22°F - 122°F (-30°C - 50°C)
A-P22MWIN	14°F - 122°F (-10°C - 50°C)
A-P22MFC	14°F - 122°F (-10°C - 50°C)
Operating humidity	0 to 90%RH (non-condensing)
Storage temperature	-4°F - 140°F (-20°C - 60°C)

Mechanical

Dimension	See dimensional drawings
Weight	
P22MWEX	9.3lbs (4.2kg)
A-P22MWIN	8.8lbs (4kg)
A-P22MFC	5.9lbs (2.7kg)

Certifications

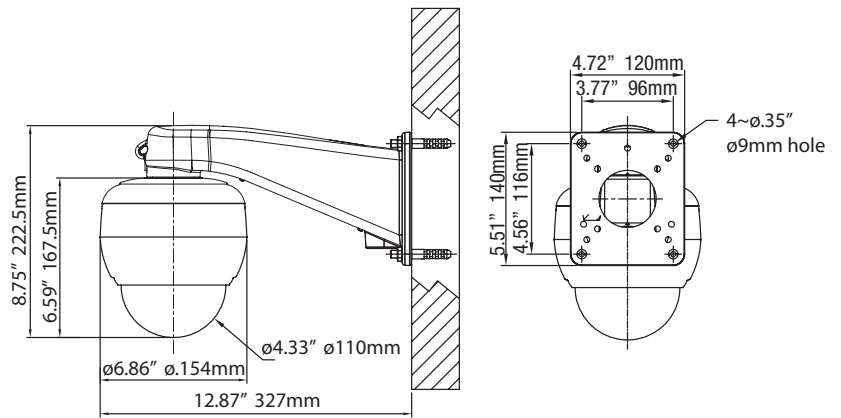
CE EMC, UL, CSA, FCC, RoHS

Specifications subject to change without notice.

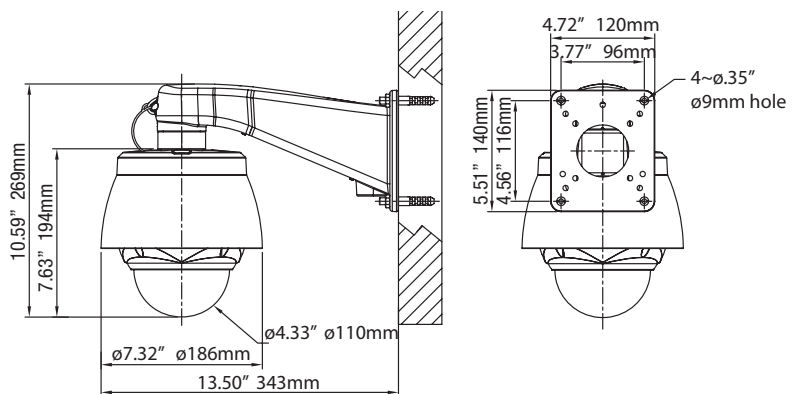
Optional Accessories

A-PPDM	Pendant Mount Adapter
A-PEXM	Pendant Mount Pipe
A-PPM	Parapet and roof mount, white
A-CM150	Corner mount adapter, white
A-CM151	Pole mount adapter, white

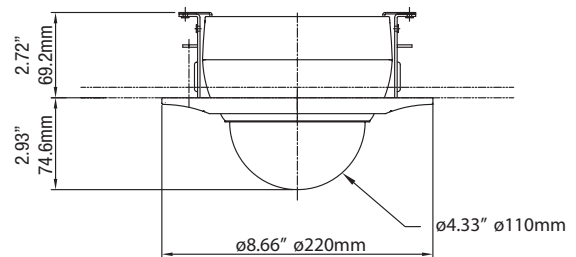
Dimensions



A-P22MWIN



P22MWEX



A-P22MFC

For more information visit www.ADT-Matrix.com

© 2012 ADT—All Rights Reserved. ADT Security Services Inc. ADT, the ADT logo and ADT Always There are registered trademarks of ADT Services AG and are used under license.

