

## Compact Color Bullet Cameras

### KEY FEATURES AND BENEFITS

- TRUE Day/Night and Day/Night models, 600TVL or 380TVL Resolution
- Through Mount Wiring (TMW)
- Powerful IR LED illuminators for extreme low or no light applications (IR Models Only)
- Varifocal or fixed lens options
- Small unobtrusive sized housings
- IP67 environmental housing rating
- BNC / DC Jack or 2-pin power wiring connections
- Very low power usage
- 12VDC power supply included

### ORDERING INFORMATION

SCN#	Item
A-CBVT2812PI	Camera, Bullet, 600TVL, TRUE D/N, 2.8~12mm VF, 12VDC, IR LEDs
A-CBVD36PI	Camera, Bullet, 600TVL, D/N, 3.6mm 12VDC, IR LEDs
A-CBVD60PI	Camera, Bullet, 600TVL, D/N, 6.0mm 12VDC, IR LEDs
A-CBSD36PI	Camera, Bullet, 380TVL, D/N, 3.6mm 12VDC, IR LED's
A-CBSD36P	Camera, Bullet, 380TVL, D/N, 3.6mm 12VDC



**Business Solutions**

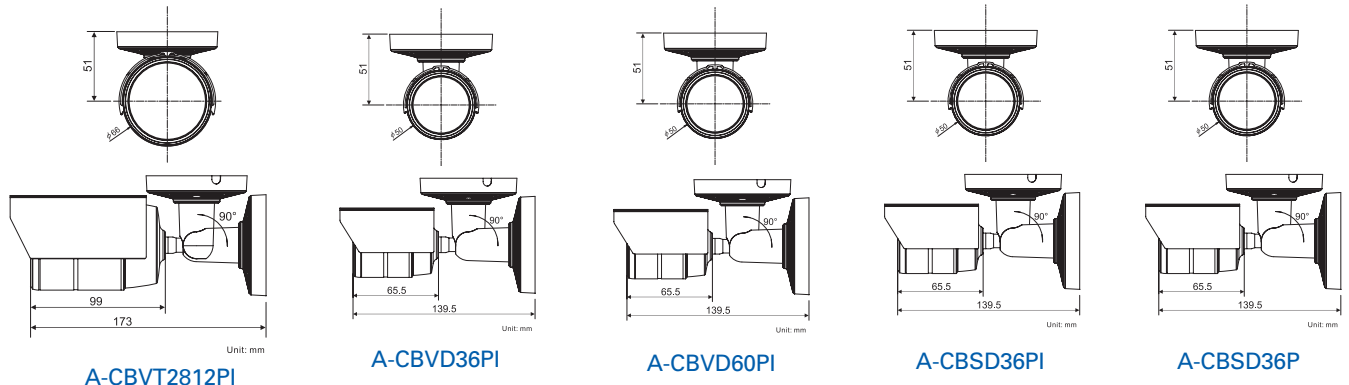
# Compact Color Bullet Cameras

## Product Specifications

	A-CBVT2812PI	A-CBVD36PI	A-CBVD60PI	A-CBSD36PI	A-CBSD36P
<b>Video</b>					
Image sensor	1/3" Sony Super HAD CCD	1/3" Sony Super HAD CCD	1/3" Sony Super HAD CCD	1/3" Sony Super HAD CCD	1/3" Sony Super HAD CCD
Number of pixels	811 (H) x 507 (V)	768 (H) x 494 (V)	768 (H) x 494 (V)	510 (H) x 492 (V)	510 (H) x 492 (V)
Scanning system	NTSC 2:1 interlace	NTSC 2:1 interlace	NTSC 2:1 interlace	NTSC 2:1 interlace	NTSC 2:1 interlace
Sync system	Internal	Internal	Internal	Internal	Internal
Electronic shutter	1/60~100,000 sec	1/60~100,000 sec	1/60~100,000 sec	1/60~100,000 sec	1/60~100,000 sec
Resolution	600TVL	600TVL	600 TVL	380 TVL	380 TVL
Min. illumination	0.1 lux (Color) 0.04 lux (B-W)	0.1 lux (Color) 0 lux (B-W)	0.1 lux (Color) 0 lux (B-W)	1.0 lux (Color) 0lux (B-W)	1.0 lux (Color) 0lux (B-W)
Video output	1.0 Vp-p (75 ohm)	1.0 Vp-p (75 ohm)	1.0 Vp-p (75 ohm)	1.0 Vp-p (75 ohm)	1.0 Vp-p (75 ohm)
S/N ratio	More than 50dB (AGC off)	More than 50dB (AGC off)	More than 50dB (AGC off)	More than 50dB (AGC off)	More than 50dB (AGC off)
Number of LEDs	30	24	24	24	n/a
LED Light Range	82ft (25M)	60ft (20M)	60ft (20M)	60ft (20M)	n/a
Lens	2.8~12mm Vari-focal AI	3.6mm AI	6mm AI	3.6mm AI	3.6mm AI
<b>Functions</b>					
Gamma	0.45	0.45	0.45	0.45	0.45
BLC	n/a	ON	ON	ON	ON
Auto Exposure	n/a	ON	ON	ON	ON
AGC	Auto	ON	ON	ON	ON
Day/Night	Auto (ICR)	Auto	Auto	Auto	Auto
White Balance	ATW	ATW	ATW	ATW	ATW
2D-DNR	ON	n/a	n/a	n/a	n/a
Smart IR	ON	n/a	n/a	n/a	n/a
<b>Connectors / Mechanical</b>					
Power Input	DC Jack	2-pin terminal block	2-pin terminal block	2-pin terminal block	2-pin terminal block
Video Output	BNC Composite	BNC Composite	BNC Composite	BNC Composite	BNC Composite
Lens Mount	Fixed	Fixed	Fixed	Fixed	Fixed
<b>Environmental</b>					
Operating Temperature	-4°F~-122°F (-20°C~+50°C)	-4°F~-122°F (-20°C~+50°C)	-4°F~-122°F (-20°C~+50°C)	-4°F~-122°F (-20°C~+50°C)	-4°F~-122°F (-20°C~+50°C)
Operating Humidity	0~96% (non-condensing)	0~96% (non-condensing)	0~96% (non condensing)	0~96% (non condensing)	0~96% (non condensing)
Protection Rating	IP67	IP67	IP67	IP67	IP67
<b>General</b>					
Dimensions	ø2.6" x 3.9" (6.8" w/mount) ø66mm x 99mm (173mm w/mount)	ø1.97" x 2.58" (5.5" w/mount) ø50mm x 65.5mm (139.5mm w/mount)	ø1.97" x 2.58" (5.5" w/mount) ø50mm x 65.5mm (139.5mm w/mount)	ø1.97" x 2.58" (5.5" w/mount) ø50mm x 65.5mm (139.5mm w/mount)	ø1.97" x 2.58" (5.5" w/mount) ø50mm x 65.5mm (139.5mm w/mount)
Housing	Powder coat aluminum w/sun shield	Powder coat aluminum w/sun shield	Powder coat aluminum w/sun shield	Powder coat aluminum w/sun shield	Powder coat aluminum w/sun shield
Cable entry	Through Mount Wiring (TMW)	Through Mount Wiring (TMW)	Through Mount Wiring (TMW)	Through Mount Wiring (TMW)	Through Mount Wiring (TMW)
Weight	1.06 lb. (0.48 kg)	1.0 lb. (0.45 kg)	1.0 lb. (0.45 kg)	1.0 lb. (0.45 kg)	1.0 lb. (0.45 kg)
<b>Power</b>					
Power Voltage	DC 12V +/- 10%	DC 12V +/- 10%	DC 12V +/- 10%	DC 12V~15V +/- 10%	DC 12V~15V +/- 10%
Power consumption	4.5 Watts (IR LEDs On)	4.0 Watts (IR LEDs On)	4.0 Watts (IR LEDs On)	4.0 Watts	2.5 Watts
<b>Conformity Approvals</b>					
	UL, CE, FCC, RoHS	UL, CE, FCC, RoHS	UL, CE, FCC, RoHS	UL, CE, FCC, RoHS	UL, CE, FCC, RoHS

Specifications are subject to change without notice.

## Dimensions



For more information visit [www.ADT-Matrix.com](http://www.ADT-Matrix.com)

© 2011 ADT—All Rights Reserved. ADT Security Services Inc. ADT, the ADT logo and ADT Always There are registered trademarks of ADT Services AG and are used under license.

