

Professional Color LCD Monitors



Product Summary

The LCD Monitor series are thin film transfer (TFT) monitors designed for limited space applications where they can function as a CCTV and PC monitor, or be used as a public-view-monitor (PVM).

Composite and S-VHS Video inputs provide direct connection with all professional video systems. The VGA interface may be used with Digital Video Recorders or with a PC. A variety of PC input resolutions are supported. The video input can be switched using the front menu button and selecting the appropriate input channel. Each model features 2-channel audio and built-in stereo speakers.

The LCDs are available in 15", 17", and 19" models with black aluminum housings. The monitor may be wall mounted using the keyholes slots on the back panel and with the recessed connector area, may be installed flat against a wall. An option desk stand is available with 75mm VESA standard mounting holes, or the monitor may be mounted using the optional 75mm VESA standard wall and ceiling mounts.

LCD Mounts

The **A-CSx775E** series **ceiling** mounts (available in both white and black colors) feature an extended pole design permitting fixed installation lengths of 26.4", 31.5" or 36.6". The interior pole may also be used as a fixed 19.7" length or may be replaced with a purchased 1,1/4" NPT pole and using a standard 1,1/2" to 1,1/4" NPT reducer, be configured for custom installation lengths. The adjustable swivel head permits 180° pan and +/- 15° tilt adjustments and is capable of supporting loads up to 20 lbs (9.0kg). The included pipe features a cable-feed-through access to conceal wiring. The mount conforms to VESA 75mm and 100mm standards.

The A-CSx775E mount must NOT be used for wall mount applications.

The **A-CS777** is a **wall**-mount with 3-axis of rotation (+/-180° in both X and Y and 270° in the Z direction) permitting various LCD view angles and is capable of supporting loads up to 24 lbs (11kg). The mount conforms to VESA 75mm and 100mm standards. The design permits easy installation using a detachable wall bracket and supplied VESA mount screws.

The **MS1X** is a **desk stand mount** available in a black color to match the monitor and is shipped with a 75mm VESA mounting plate. The desk stand allows easy viewing angle adjustment of the monitor.

Features

- Professional Metal 15", 17", and 19" LCD, PC/CCTV Monitors.
- Compact Flat panel design and mounting options along with wide viewing angles are ideal for space limiting applications.
- More than 500 lines of resolution.
- Switchable BNC / PC / S-VHS Video Modes.
- PC Compatible Inputs ranging from VGA to SXGA using Standard VGA Cable (15" and 17" only).
- High Brightness and Contrast Ratio reduces brightness degradation eliminating normal CRT flicker reducing eyestrain while improving picture clarity.
- Long-life Backlight consumes less power than CRT monitors.
- Built in stereo speakers.
- 12V dc power adapter included.
- Desk, ceiling and wall mount options

Ordering Guide

SCN#	Item
M150C	15" Metal LCD Monitor
M170C	17" Metal LCD Monitor
M190C	19" Metal LCD Monitor
A-CSW775E	Mount, LCD, ceiling, adjustable, white
A-CSB775E	Mount, LCD, ceiling, adjustable, black
A-CS777	Mount, LCD, wall, 3-axis swivel head
MS1X	Mount, LCD, desk stand, black

Models

M150C	15" high resolution Color LCD flat panel
M170C	17" high resolution Color LCD flat panel
M190C	19" high resolution Color LCD flat panel

Electrical

LCD Panel
Active Display Area (Diagonal)
Pixel Format

Pixel Pitch
Color Depths
Contrast Ratio
Brightness
Viewing Angles (L/R/U/D)

Light Source / Lifetime
Response Time

M150C

15.0 inches TFT LCD Panel
15.0 inches

1024 (H) x 768 (V), RGB
vertical stripe
0.297mm x 0.297mm
8 Bit / 16M Colors
400 : 1 (Typical)
250 cd/m2 (Typical)
65/65/45/60 (Typical)

2CCFL / 40,000Hrs (Minimum)

25ms

M170C

17.0 inches TFT LCD Panel
17.0 inches

1280 (H) x 1024 (V), RGB
vertical stripe
0.264mm x 0.264mm
8 Bit / 16.2M Colors
350 : 1 (Typical)
250 cd/m2 (Typical)
75/75/65/60 (Typical)

4CCFL / 40,000Hrs (Minimum)

25ms

M190C

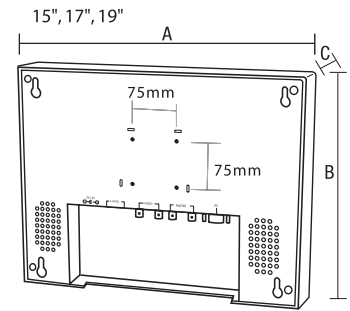
19.0 inches TFT LCD Panel
19.0 inches

1280 (H) x 1024 (V), RGB
vertical stripe
0.294mm x 0.294mm
8 Bit / 16.7M Colors
500 : 1 (Typical)
250 cd/m2 (Typical)
85/85/85/85 (Typical)

4CCFL / 40,000Hrs (Minimum)

25ms

CONFIGURATIONS



	A	B	C
M150C	13.75"	11.25"	1.70"
M170C	15.70"	13.20"	1.95"
M190C	16.5"	14.25"	2.13"

Video

Video Mode
Scanning Method
Video Input Signals
Composite
S-Video

Video Input Connector
Composite
S-Video

Termination
Audio Input Connector
Audio Output
Resolution

NTSC/PAL (Auto selection)
Digital progressive scan (Still/Progressive Mode)

1.0Vp-p, 75-ohms
Luminance: 1.0Vp-p, 75-ohms
Chrominance: 0.3Vp-p, 75-ohms

BNC x 2
4 Pin Mini-Din x 2
75-ohm, Auto termination
RCA x 2 (Stereo)
0.5W x 2
More than 500 Lines

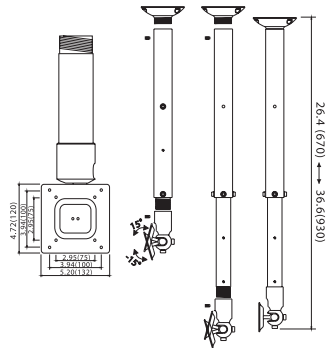
PC

Input Signal
Input Connector
Input Resolution

Analog RGB (0.714Vp-p, 75), H & V Sync (TTL)

15 pin D-sub
VGA: 640 x 480 / 60 ~ 75Hz
SVGA: 800 x 600 / 56 ~ 75Hz
XGA: 1024 x 768 / 60 ~ 75Hz

VGA: 640 x 480 / 60 ~ 75Hz
SVGA: 800 x 600 / 56 ~ 75Hz
XGA: 1024 x 768 / 60 ~ 75Hz
SXGA: 1280 x 1024 / 60Hz



General

User Controls
OSD Language
Power Requirement
Power Consumption

DC Power Connector
AC Power Connector
Dimensions (W H D)

Weight
Operating Temperature
Storage Temperature
Case Color
Case Material
Accessories

Bright, Contrast, Tint, Color, Sharpness, etc.
English / French / German / Italian / Spanish / Polish

12VDC, 2.5A
34 Watts (Maximum) /
2 Watts (Power Saving)

12VDC, 3.8A
51 Watts (Maximum) /
2 Watts (Power Saving)

Barrel, 5.5 / 2.1 mm (+ Center)
IEC-320 Male, 100 - 240VAC

13.75" x 11.25" x 1.7"
(349.2mm x 285.7mm x 43mm)

15.7" x 13.2" x 1.95"
(398mm x 334mm x 49.5mm)

8.8lbs. (4kg)

12VDC, 3.7A
45 Watts (Maximum) /
2 Watts (Power Saving)

16.5" x 14.25" x 2.13"
(419mm x 362mm x 54mm)

11.24lbs. (5.1kg)

Optional Accessories

A-CS777	Mount, LCD, wall, 75/100mm VESA, 2-knuckle
A-CSW775E	Mount, LCD, ceiling, 75/100mm VESA, extended pole 26" to 36", white
A-CSB775E	Mount, LCD, ceiling, 75/100mm VESA, extended pole 26" to 36", black
MS1X	Mount, LCD, desk, 75mm VESA, black

Specifications are subject to change without notice.



A-CS777



MS1X



A-CSW775E A-CSB775E