

## Outdoor Environmental Housing



### Installation and Operation

The A-CH808M weatherproof environmental camera housing offers protection from all weather conditions. The unit is constructed from die cast and extruded aluminum. The enclosure is for use with most full body cameras with fixed focal length lenses or auto iris lenses.

The A-CH808M enclosure does not include a heater or blower, but provides a watertight protection from the elements. The side-hinged lid provides easy access to the removable camera sled and two adjustable (PG10) glands on the rear of the enclosure allow for easy installation of the power and video cables. All necessary mounting hardware is included.

### Features

- Intended for use with all CCTV cameras including the ADT full body cameras.
- Weatherproof housing seals camera from all outdoor elements.
- Standard housing mount options available.
- Light gray finish blends with surrounding equipment and installation aesthetics.
- Clear front window does not affect light-level performance of camera.

### Ordering Guide:

SCN#	Item
<b>A-CH808M</b>	12.5" Weatherproof Env. Hsg.
<b>A-CS161</b>	Wall mount, 10"
<b>A-CS164A</b>	Pipe/Pole mount, J-style
<b>A-CS166</b>	Ceiling mount, J-style
<b>A-CM150</b>	Corner mount (use with A-CS161)
<b>A-CM151</b>	Pole mount (use with A-CS161)



ADT Always There®

## Specifications

**Construction** Die-cast and extruded aluminum  
Side-hinged lid

**Window Size** 0.11" thick tempered glass  
2.42"H x 2.65"W

**Cable Entry** Two 0.35" adj. (PG10) rear glands

**Finish** Light gray, polyester powder coat

### Dimensions (W x H x D)

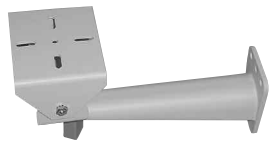
#### A-CH808M

4.78" x 3.68" x 12.50"

4.78" x 3.68" x 15.15" w/ sunshield

## Optional Accessories

<b>A-CS161</b>	Light-duty wall mount, 10" length
<b>A-CS164A</b>	Pipe/Pole mount
<b>A-CS166</b>	Medium-duty ceiling mount, "J" mount, 13.4"L X 21.2"H
<b>A-CM150</b>	Corner mount for CS161 bracket
<b>A-CM151</b>	Pole mount for CS161 bracket
<b>A-A18C</b>	60-ft camera cable with RJ-11 connectors
<b>A-A30C</b>	100-ft camera cable with RJ-11 connectors
<b>A-A60C</b>	200-ft camera cable with RJ-11 connectors
<b>A-A90C</b>	300-ft camera cable with RJ-11 connectors



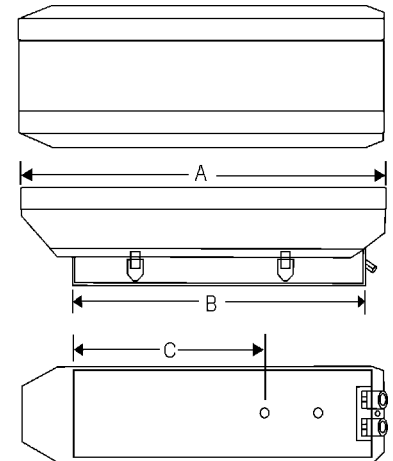
#### A-CS161

Housing mount 10" light duty wall

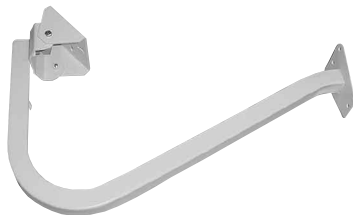


#### A-CS164A

Housing mount "J"-style for pipe/pole

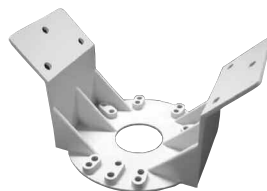


MODEL	A	B	C
<b>A-CH808M</b>	14.15"	12.50"	7.51"



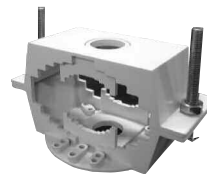
#### A-CS166

Housing mount "J"-style, medium duty ceiling



#### A-CM150

Corner Mount



#### A-CM151

Pole Mount

