

VIDEO SERVICES COMPLIANT



8 & 16 Channel, Triplex Digital Video Recorders with DVD-RW

KEY FEATURES AND BENEFITS

- 8- and 16-channel looping BNC inputs
- 4-channel audio recording / 1-channel audio playback
- Real-Time 240/480 images/second, triplex operation
- Selectable CIF, 2CIF, D1 record resolution
- Internal DVD-RW and two USB 2.0 ports
- Concurrent BNC / VGA video outputs and 1 spot monitor output
- IR remote and USB mouse included
- Powerful search modes by calendar, time-date, event, motion, museum
- 2X Digital Zoom, 1-Touch / 2-Touch Clip/Copy archiving (compressed video image files)
- Copied video includes an executable "player" software program for controlled playback
- Temperature Check, SMART Diagnosis, Auto Recovery, Auto Deletion
- Programmable Video Motion Detection (VMD) per channel
- Multiple recording modes -Time-Lapse, Alarm, Event, Pre-event, Panic and Continuous
- Programmable record options -Schedule, Record Rate, Image Quality and Resolution for each input
- Up to 30 second pre-event and 15 minute post event recording
- Remote Administration Software (RASPlus) features Monitoring, Playback, Recording, Setup, PTZ, Upgrade, Status with full Triplex operation, (User defined 64-channel view), Map integration, Multi-Site System Health Monitoring with user defined customizable panel design
- Immix® by SureView Compatible

ORDERING INFORMATION

| SCN# | Item |
|--------------|--|
| A-ADT8H-500 | 8-ch DVR, H.264, 240-ips, IR, mouse, DVD, 500GB |
| A-ADT8H-1TB | 8-ch DVR, H.264, 240-ips, IR, mouse, DVD, 1TB |
| A-ADT8H-2TB | 8-ch DVR, H.264, 240-ips, IR, mouse, DVD, 2TB |
| A-ADT16H-500 | 16-ch DVR, H.264, 480-ips, IR, mouse, DVD, 500GB |
| A-ADT16H-1TB | 16-ch DVR, H.264, 480-ips, IR, mouse, DVD, 1TB |
| A-ADT16H-2TB | 16-ch DVR, H.264, 480-ips, IR, mouse, DVD, 2TB |
| A-ADT16H-3TB | 16-ch DVR, H.264, 480-ips, IR, mouse, DVD, 3TB |

8 & 16 Channel, Triplex Digital Video Recorders with DVD-RW

Product Specifications

Video

Video Input 8-, 16-BNC looping inputs, auto terminating
 Main Monitor Output BNC Composite: 1 output VGA: 1 output
 Spot Monitor BNC Composite: 1 output
 Display Mode (main) 1, 4, 1+5, 1+7, 9, 16, Sequence, PIP, and Digital 2X Zoom
 Display Mode (spot) Full-screen, Sequence
 Display Resolution 720 x 480 NTSC
 Record Resolution CIF: 352 x 240, 2CIF: 704 x 240, D1: 704 x 480
 Record/Playback Rate 480/480 ips 16 Channel (CIF)
 240/240 ips 16 Channel (2CIF)
 120/120 ips 16 Channel (D1)
 240/240 ips 8 Channel (CIF)
 120/120 ips 8 Channel (2CIF)
 60/60 ips 8 Channel (D1)

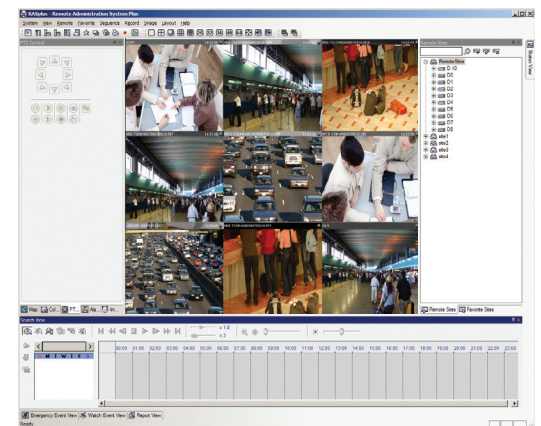
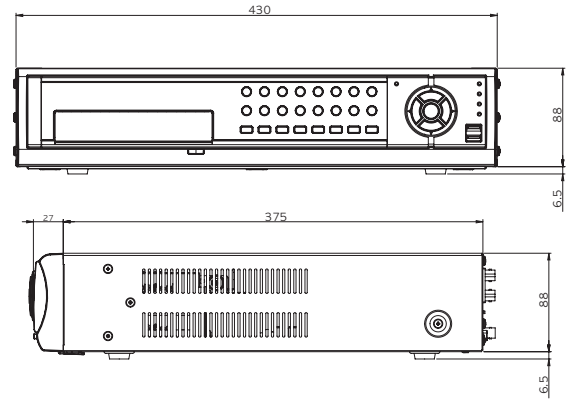
Compression H.264 - ISP Technology
 Operating System (OS) Embedded Linux
 Storage Max 2 HDD with DVD-RW
 Data Export Medium Internal DVD-RW, USB (HDD, CD-RW, Flash-Drive), IDE (CD-RW, DVD-RW)
 Alarm Inputs 8/16 TTL, NC or NO, push terminal
 Alarm Outputs 2 Relay Out, terminal block
 Alarm Reset 1 TTL w/ground, terminal block
 Network Interface RJ-45 Network Interface card, 10/100 Base T Ethernet
 Network Protocols Static IP, ADSL, DHCP, DVRNS (Enhanced DDNS)
 Remote Connections Admin: 2 / Watch 10 / Search: 2
 Remote Software Immix® by SureView Compatible
 Webguard: Monitoring, Playback, Recording, Setup, PTZ, Upgrade, DVR Status
 RASPlus: Triplex operation, (User defined 64-channel view), Map integration, Multi-Site System Health Monitoring
 Clip-Player, AVI, JPEG, BMP

Remote Data Export Maximum 60/120-ips, with Bandwidth Control
 Remote Transmission Rate RS232C Serial Port I/O Control
 Serial Connections 1 – RS485 PTZ Control (two wire half duplex)

Audio Inputs/Outputs 4/1 – line level (RCA connectors)
 USB Port 2 USB 2.0 (front)
 Dimensions (W x H x D) 16.9" x 3.5" x 15.9" (430mm x 94.5mm x 402mm),
 2U, Rack mount (Hardware Included)

Weight 16.8 lbs. (7.6kg)
 Operating Temp 41°F ~ 104°F (5°C ~ 40°C)
 Operating Humidity 0% - 90% (non condensing)
 Power Requirements 100 – 240 VAC, 1.2 - 0.6 A, 60/50 Hz, 100W
 Power Consumption Max. 45W
 Approvals FCC, UL*, CB, CE, RoHS

Dimensions



RASPlus Client Software

Optional Accessories

XDLBW2 Lockbox, Medium, White

* CAUTION: Risk of Explosion if Battery is replaced by an Incorrect Type. Dispose of Used Batteries According to the Instructions.

Specifications are subject to change without notice.

Storage Duration

The 8-ch unit records up to 240 images per second and the 16-ch unit records up to 480 images per second at CIF resolution (30-ips per channel). The tables illustrate a typical recording duration for CIF, 2CIF and D1 record resolutions with a single video input, with continuous video recording on a 500-GB hard disk drive. The actual storage duration will vary depending on the number of cameras recorded, the image quality selected, the recording speed, recording schedule, motion content of the images and the number of stored events.

| CIF (ips) | 500-GB HDD | | | |
|-----------|------------|---------------|-----------|----------------|
| | Basic Days | Standard Days | High Days | Very High Days |
| 30 | 96.5 | 48.2 | 32.2 | 24.1 |
| 20 | 144.7 | 72.3 | 48.2 | 36.2 |
| 15 | 192.9 | 96.5 | 64.3 | 48.2 |
| 5 | 578.7 | 289.4 | 192.9 | 144.7 |
| 1 | 2893.5 | 1446.8 | 964.5 | 723.4 |

| 2CIF (ips) | 500-GB HDD | | | |
|------------|------------|---------------|-----------|----------------|
| | Basic Days | Standard Days | High Days | Very High Days |
| 20 | 72.3 | 36.2 | 24.1 | 18.1 |
| 15 | 96.5 | 48.2 | 32.2 | 24.1 |
| 10 | 144.7 | 72.3 | 48.2 | 36.2 |
| 5 | 289.4 | 144.7 | 96.5 | 72.3 |
| 1 | 1446.8 | 723.4 | 482.3 | 361.7 |

| D1 (ips) | 500-GB HDD | | | |
|----------|------------|---------------|-----------|----------------|
| | Basic Days | Standard Days | High Days | Very High Days |
| 20 | 36.2 | 18.1 | 12.1 | 9 |
| 10 | 72.36 | 36.2 | 24.1 | 18.1 |
| 5 | 144.7 | 72.3 | 48.2 | 36.2 |
| 1 | 723.4 | 361.7 | 241.1 | 180.8 |

Storage is for one input; divide by number of cameras used.

For more information visit www.TycolS-Matrix.com

© 2012 Matrix Network, Inc. – All Rights Reserved.

