



700TVL, TRUE Day/Night, Digital-WDR, Weatherproof, IR Bullet Cameras

KEY FEATURES AND BENEFITS

- Superior High 700TVL Resolution (Color)
- High Performance 1/3" Sony EXview HAD CCD II
- True Day / Night and Digital Wide Dynamic Range (D-WDR) Functionality for all lighting conditions
- Varifocal Auto-Iris Lens in 2 configurations
- External adjustments for focal length and focus
- Privacy Masking, Motion Detection, Mirror and Auto Gain Control capability
- Smart LED Technology: Automatically Adjusts Intensity of LED
- 2D Digital Noise Reduction (DNR) Settings for increased picture quality and lower file sizes for digital recording
- Built-in Heater for cold weather applications down to -40°F (-40°C)
- Test monitor video cable with local OSD control
- Weatherproof IP67 Rating for Outdoor Environments
- OSD (On Screen Display) Programming for Control of all Camera Functions
- Dual Voltage Operation (12VDC / 24VAC)
- Through Mount Wiring (TMW) for easy and secure installation

ORDERING INFORMATION

SCN#	Item
CB7T2812UI	Bullet Camera, 700TVL, 2.8-12mm VF AI, IP67, TDN, 45 IR LEDs, D-WDR, 12VDC/24VAC
CB7T5050UI	Bullet Camera, 700TVL, 5-50mm VF AI, IP67, TDN, 45 IR LEDs, D-WDR, 12VDC/24VAC



**Business
Solutions**

700TVL, TRUE Day/Night, Digital-WDR, Weatherproof, IR Bullet Cameras

Product Specifications

Video

Image Sensor	1/3" Sony EXview HAD CCD II
Total Number of Pixels	1020(H) x 508(V)
Scanning System	2:1 Interlace
Scanning Frequency	15.734KHz(H) x 59.94Hz(V)
Sync. System	Internal
Electronic Shutter	1/50 ~ 1/10,000 sec
Resolution	700TVL
Min. Illumination	0.15 lux (Color) @ F1.2, 50 IRE, 0 Lux (IR LED ON)
Video Output	1.0Vp-p @ 75ohm, composite)
S/N Ratio	>50dB (AGC OFF)
Camera Control	Internal Tactile Joystick
IR LED	45 LED's
IR LED Lighting Distance	160ft (50M)

Function

Exposure	Auto Iris / Auto Iris + Electronic Shutter
Motion Detection	Off / On, 4 zones
Brightness	0 ~ 255
BLC	OFF / BLC / HLC
AGC	OFF / ON
2D-DNR	OFF / Y/ C / Y, C
ATR (Adaptive Tone Reproduction)	Luminance (L/M/H), Contrast (L/LM/M/MH/H) - (Digital-WDR)
White Balance	ATW / Push / User 1 / User 2/ Anti CR / Manual / Push Lock
Day & Night	AUTO
Privacy Masking	0 - 4 zones
Gain	0 - 255
Contrast	0 - 255
Sharpness	0~255
Mirror	OFF / On
HUE	0 - 255
Smart IR	OFF / On / Level

General

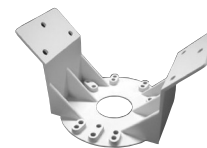
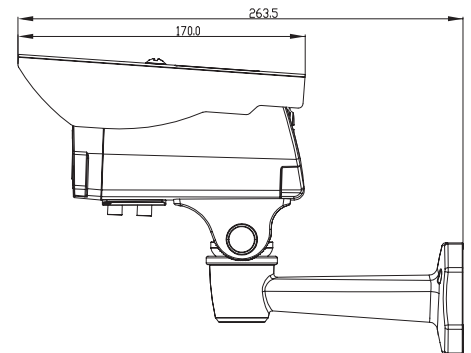
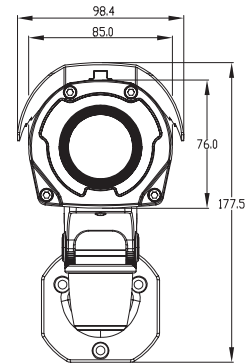
Power Input	3-Pin Terminal Block
Power Source	12VDC / 24VAC (-10%, +15%)
Power Consumption	5W (450mA); 12W (1A) Heater on
Video Output	BNC
Lens	2.8-12mm, or 5-50mm. Varifocal DC Auto-Iris ICR
Operating Temperature	-22°F~-122°F (-30°C~+50°C) 12VDC power -40°F~-122°F (-40°C~50°C) 24VAC power
Operating Humidity	0~96% (non-condensing)
Environmental Rating	IP67
Dimensions (Dia x Length)	3.9 x 7 x 10.4in (98.4 x 177.5 x 263.5mm)
Weight	2lbs (.95kg)
Conformity Certifications	FCC, UL, CE, RoHS

Specifications are subject to change without notice.

Optional Accessories

A-CM150	Corner mount
A-CM151	Pole mount

Dimensions



A-CM150
Corner Mount



A-CM151
Pole Mount

For more information visit www.ADT-Matrix.com

© 2012 ADT—All Rights Reserved. ADT Security Services Inc. ADT, the ADT logo and ADT Always There are registered trademarks of ADT Services AG and are used under license.

