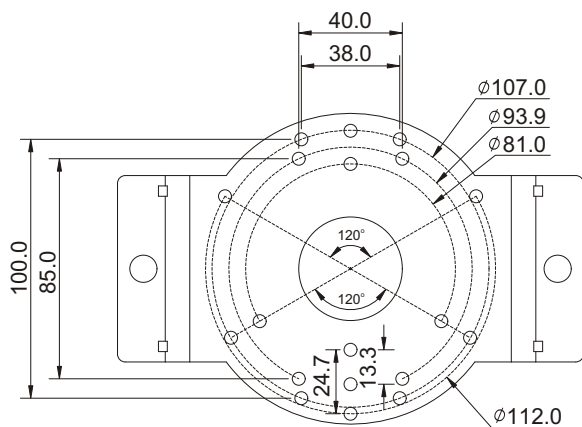
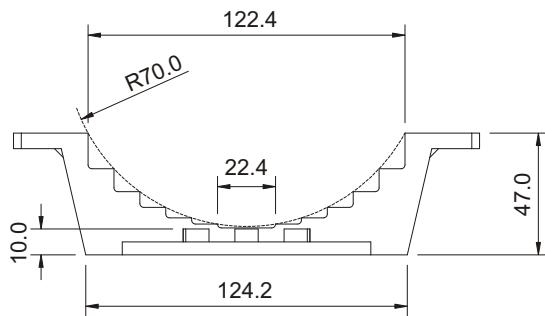
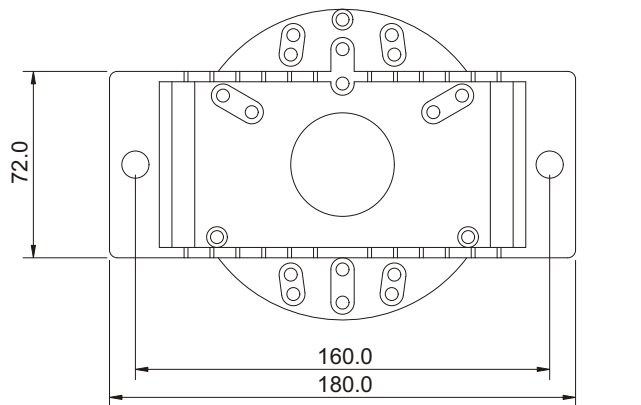
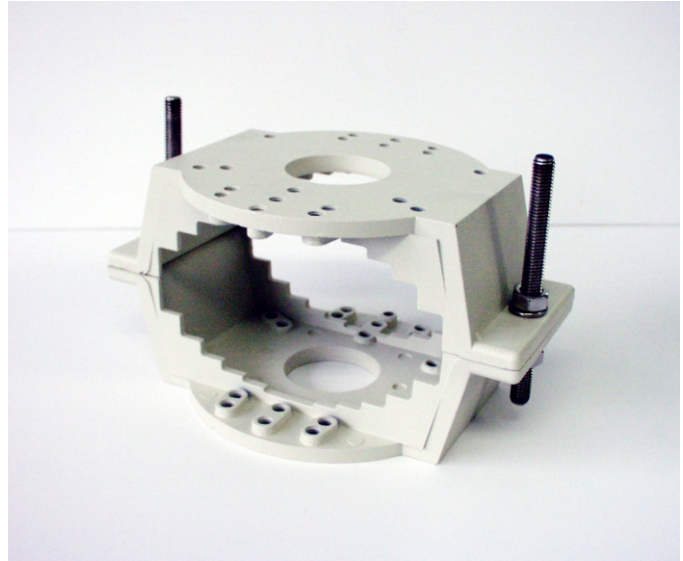


A-CM151 Mount

Pole Mount

PRODUCT FEATURES

- . Low cost
- . Die cast and aluminum
- . Easy to install
- . Maximum load 63.5 lb (25.0 kg)



Unit :mm

SPECIFICATION

Enclosure mounting	(4) M6 x 14mm, (8) M6 x 20mm pan head Machine screw (supplied). (2) M8 x 100mm bolt (supplied). (4) M8 hex nut (supplied). (4) M8 spring washer (supplied).
Construction	Die cast and aluminum
Finish	Light-gray polyester powder coat
Maximum load	63.5 lb (25.0 kg)
Dimension	See dimensional outline
Weight	Unit Shipping 1.64 lb (0.75 kg) 2.12 lb (0.97 kg)