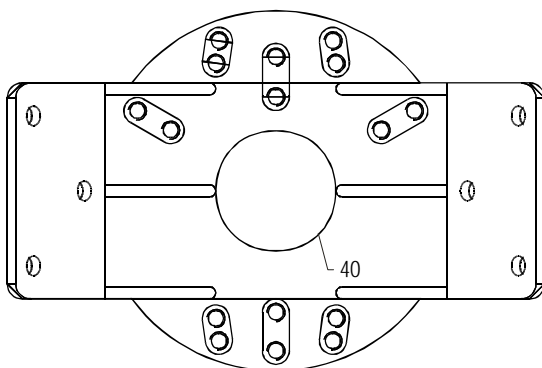
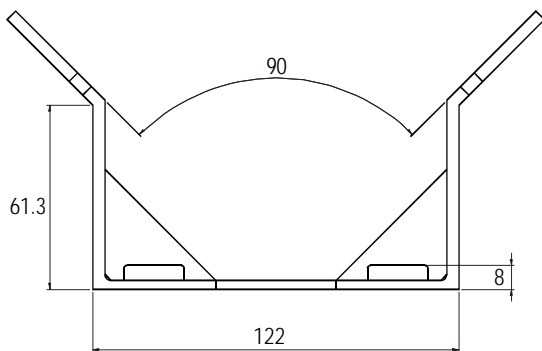
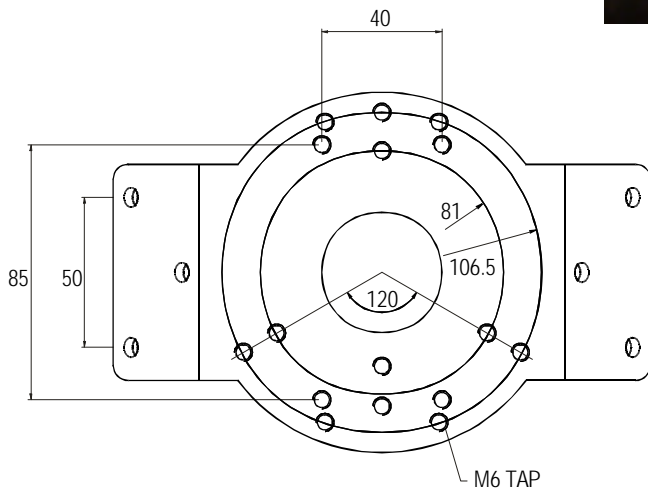
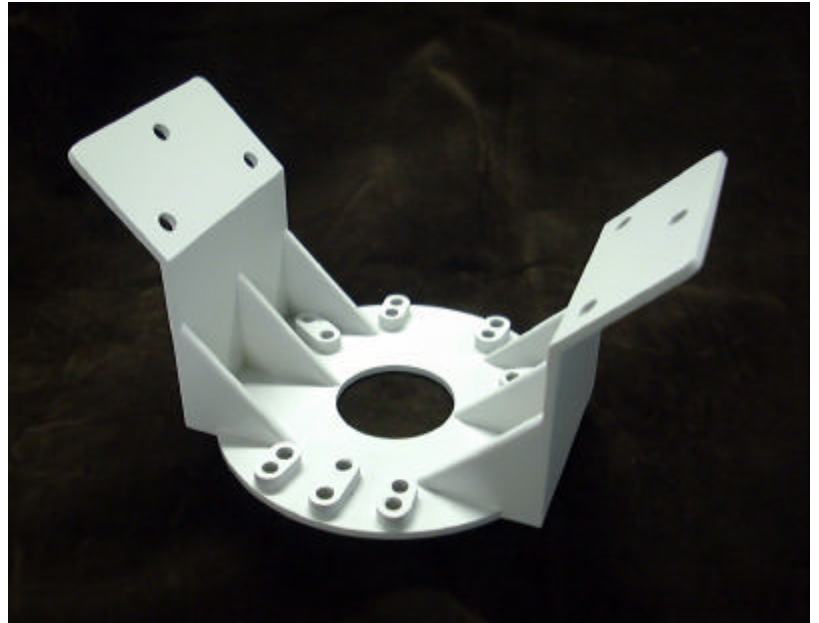


CM-150 Mount

Corner Mount

PRODUCT FEATURES

- . Low cost
- . Die cast and aluminum
- . Easy to install
- . Maximum load 63.5 lb (25.0kg)



Unit : mm

SPECIFICATION

GENERAL

Enclosure mounting	Ten (10) M6 x 15mm hex head Machine screw (supplied).
Construction	Die cast and aluminum
Finish	Light-gray polyester powder coat
Maximum load	63.5 lb (25.0kg)
Dimension	See dimensional outline
Weight	Unit 0.98 lb (0.45 Kg) Shipping 1.31 lb (0.6 Kg)