



## High Speed, 700TVL, WDR, Compact 22x PTZ Dome

### KEY FEATURES AND BENEFITS

- |   |   |
|---|---|
| <ul style="list-style-type: none"> <li>• 22x motorized zoom lens (3.9-85.8mm); 16x digital</li> <li>• 700TVL high resolution camera</li> <li>• TRUE day/night functionality for low-light conditions</li> <li>• 8 Tours such as Preset, Pattern, and Auto-Scan can be programmed with over 300 functions and Preset locations</li> <li>• 16 Auto Scans with normal, vector, random and endless Auto-Pan with 13 speed steps</li> <li>• 240 preset positions; 8 Patterns and 8 Privacy zones</li> <li>• WDR functionality for high-contrast lighting conditions</li> </ul> | <ul style="list-style-type: none"> <li>• Built-in 16x digital zoom with True Night Shot function</li> <li>• 4 Alarm input / 1 output</li> <li>• Variable panning speed from 0.1°/sec to 380°/sec.; 360° continuous rotation</li> <li>• Multi-language Menu Display, Password Confirmation</li> <li>• Built-in RS-485 receiver driver</li> <li>• IP66 Weather-Resistant Rating and built-in heater</li> <li>• Controlled from DVR unit or optional keyboard controller</li> <li>• Wall, ceiling and flush mount options</li> </ul> |
|---|---|

### ORDERING INFORMATION

SCN#	Item
A-CC722PTZ	700TVL, PTZ Dome, 22x zoom, TDN, WDR, 12VDC/24VAC



**Business  
Solutions**

MNI2075-00

# High Speed, 700TVL, WDR, Compact 22x PTZ Dome

## Product Specifications

### Module

CCD Type	1/4" EXview HAD CCD
Optical / Digital Zoom	22X / 16X
Resolution	700TVL
Focal length	3.9mm~85.8mm
Angle of view	3.9mm~49.5°(H) 85.8mm~2.4°(H)
F-Number	F1.6~F3.7

### Min. Illumination

Normal	0.1 Lux
ICR on & Slow Shutter	0.00001 Lux
ICR on (Day & Night)	YES
WDR	YES
Motion Detection (in PRESET)	YES

### Dome

Tilt angle	0° ~ 180° (Digital Flip)
Image Flip	YES
Auto Calibration	0.1° ~ 6°
Panning angle	360 continuous rotation
Alarm	1 input (NC/NO), 1 output (5V TTL)
Auto Scan	1 auto pan & 16 auto scan capability
Preset	240 presets with individual camera AE setup
Pattern	8 patterns (recording up to 200 sec.)
Tour	8 tours (consist of 42 functions/1 tour)
Max Speed	380° sec
Area Title	Divided into 16 areas with 12 characters of title
Privacy Zone	8 privacy zone masking (2 methods selectable : Block / video off)

### Electrical

Power Source	12VDC (if heater not used); 24VAC (if heater used)
Power Consumption	12W (without heater used); 22W (with heater used)
Control	RS-485, baud rate: 2400~19.2k bps (default: 9600bps)
ID (Camera Address)	1~255

### Environmental

Operating temperature	-10°C ~ 50°C (14°F ~ 122°F) (without heater used) -30°C ~ 50°C (-22°F ~ 122°F) (with heater used)
Operating humidity	0 to 90%RH (non-condensing)
Storage temperature	-20°C ~ 60°C (-4°F ~ 140°F)
Environmental Rating	IP66

### Mechanical

Dimension	6.06 x 5.51in (154 x 140mm)
Weight	3.3lbs (1.5kg)

### Certifications

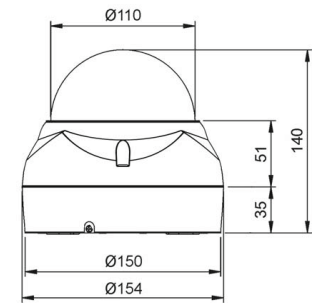
CE EMC, UL, CSA, FCC RoHS

Specifications subject to change without notice.

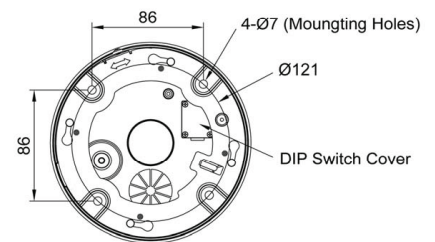
### Optional Accessories

A-PEXM	Ceiling Mount Bracket
A-PFM	Flush Mount Ceiling Bracket
A-PPDM	Ceiling Pipe Mount Adapter
DB243W2	Wall Mount
PKBD	Keyboard Controller
VDMWC2	Wall and Ceiling Mount

### Dimensions



Side View



Top View



A-PEXM  
Ceiling Mount Bracket



A-PFM  
Flush Mount Ceiling Bracket



A-PPDM  
Ceiling Pipe Mount Adapter



DB243W2  
Wall Mount



PKBD  
Keyboard Controller



VDMWC2  
Wall and Ceiling Mount

For more information visit [www.ADT-Matrix.com](http://www.ADT-Matrix.com)

© 2013 ADT—All Rights Reserved. ADT Security Services Inc. ADT, the ADT logo and ADT Always There are registered trademarks of ADT Services AG and are used under license.

