



Series 4 High Speed 22x PTZ Dome

KEY FEATURES AND BENEFITS

- 22x motorized zoom lens (3.9-85.8mm)
- 580TVL high resolution camera
- Pre-assembled with housing and mount
- 8 Tours such as Preset, Pattern, and Auto-Scan can be programmed with over 300 functions and Preset locations
- 16 Auto Scans with normal, vector, diagonal and random scanning
- 8 Patterns and 8 Privacy zones
- Motion Detection (Bounding Box, Trace)
- Auto and Cross Tracking
- Pre-wired, Through-Mount-Wiring (TMW)
- Video Analytics Function include Cross, Enter, Abandon and Removal
- DIS (Digital Image Stabilization) Function
- 4 alarm inputs / 1 output
- Variable panning speed from 0.1°/sec to 380°/sec.
- Multi-language Menu Display, Password Confirmation
- Built-in RS-485/422 receiver driver
- 24VAC / 24VDC
- Parapet roof and pendant mount options
- Coaxial communication with Pelco's Coaxitron System

ORDERING INFORMATION

SCN#	Item
P22WEX	Series 4 22x PTZ, Wall Mount, Exterior housing
A-P22FT	Series 4 22x PTZ, Flush Mount, Tint bubble
A-P22FC	Series 4 22x PTZ, Flush Mount, Clear bubble



Business Solutions

Series 4 High Speed 22X PTZ Dome

Product Specifications

Module

CCD Type	1/4" EXview HAD CCD
Optical / Digital Zoom	22X / 16X
Resolution (NTSC/PAL)	580TVL
Focal length	3.9mm~85.8mm
Angle of view	3.9mm-49.5°(H) 85.8mm-2.4°(H)
F-Stop	F1.6-F3.6

Min. Illumination

Normal	1.0 Lux
Slow Shutter	.02 Lux
ICR on & Slow Shutter	.002 Lux
ICR on (Day & Night)	YES
WDR	YES

Dome

Tilt angle	-10° ~ 190° (Digital Flip)
Image Flip	YES
DIS (Digital Image Stabilization)	YES
Auto Calibration	0.1° ~ 6°
Panning angle	360° continuous rotation
Auto Scan	1 auto pan & 16 auto scan capability
Preset	240 presets with individual camera AE setup & Event
Pattern	8 patterns (recording up to 500 sec)
Tour	8 tours (consist of 42 functions/1 tour)
Speed	0.1° ~ 380° sec
Area Title	It can be divided 16 areas with 12 characters of title
Privacy Zone	8 privacy zone masking (2 methods selectable : Block / video off)
Video Analytics	Motion Detection, Cross, Enter, Abandon, Removal, Auto Tracking, Cross Tracking
Menu	GUI (Graphic User Interface)

Electrical

Input Voltage	18 to 30VAC; 24VAC nominal, 24VDC
Power Requirement	24VAC/24VDC 3A
Power Consumption	P22WEX: 70W A-P22FT, A-P22FC: 5W
Alarm Output	1 Normal relay 24VDC/1A Max. (selectable NC/NO)
Alarm Input	4 Normal dry contact (selectable NC/NO)
Control	RS-485/422 baud rate: 2400~38.4k bps (default: 9600bps); Pelco Coaxitron

Environmental

Operating temperature	P22WEX: -49°F - 122°F (-45°C - 50°C) A-P22FT, A-P22FC: 32°F - 122°F (0°C - 50°C)
Operating humidity	0 to 90%RH (non-condensing)
Storage temperature	-4°F to 140°F (-20°C to 60°C)

Mechanical

Dimension	See dimensional drawings
Weight	P22WEX 13lbs (5.9kg) A-P22FT 5.3lbs (2.4kg) A-P22FC 5.3lbs (2.4kg)

Certifications

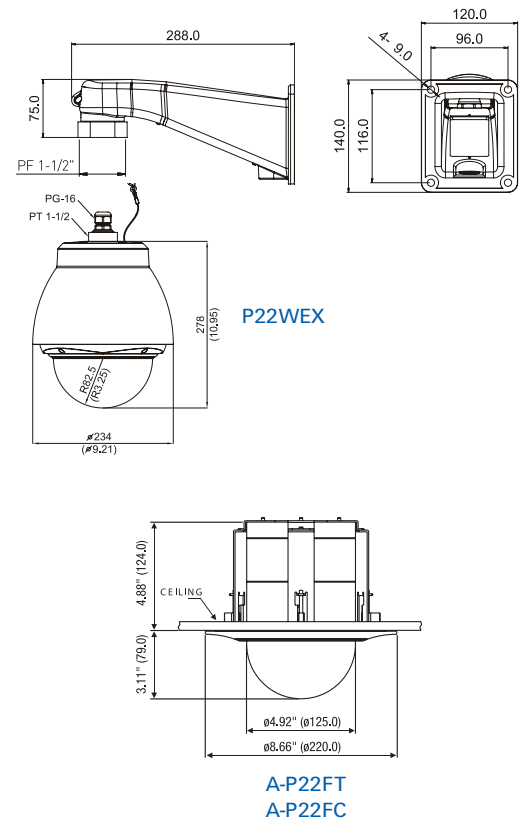
CE EMC, UL, CSA, FCC, RoHS

Specifications subject to change without notice.

Optional Accessories

A-PPM	Parapet and Roof Mount, white
A-PEX	Pendant Mount, white
A-CM150	Corner Mount, white
A-CM151	Pole Mount, white

Dimensions



For more information visit www.ADT-Matrix.com

© 2012 ADT—All Rights Reserved. ADT Security Services Inc. ADT, the ADT logo and ADT Always There are registered trademarks of ADT Services AG and are used under license.

