

# TCW

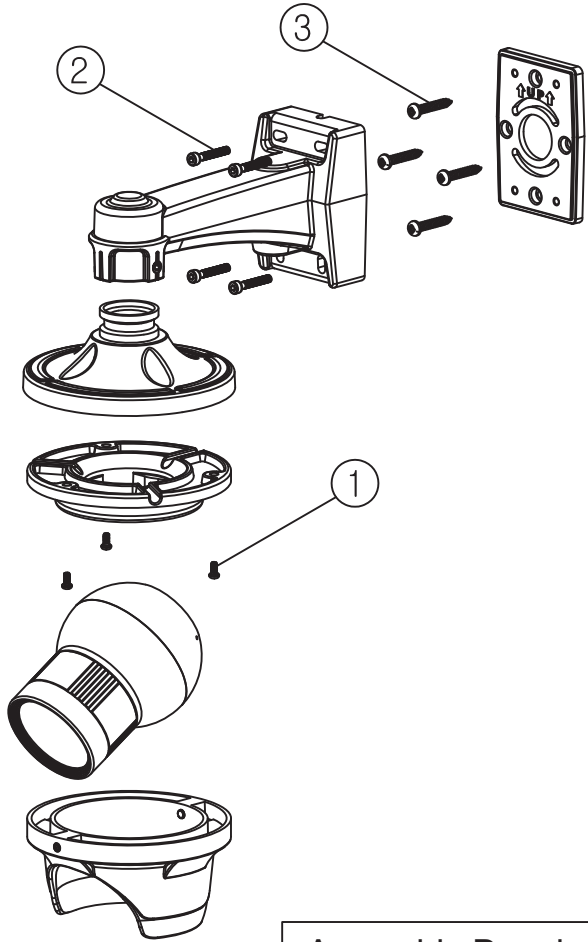
## Wall Mount

### PRODUCT FEATURES

- Low cost
- Die cast and aluminum
- Easy to install
- Maximum load 3.97lb(1.8kg)

### ACCESSORY

1. FH M4, L=8 machine screw 4pieces
2. Hexagon Socket M5, L=30 machine screw 4pieces
3. PTS1 M6, L=38 tapping screw 4pieces
4. L-wrench 4mm 1piece



Assembly Drawing

