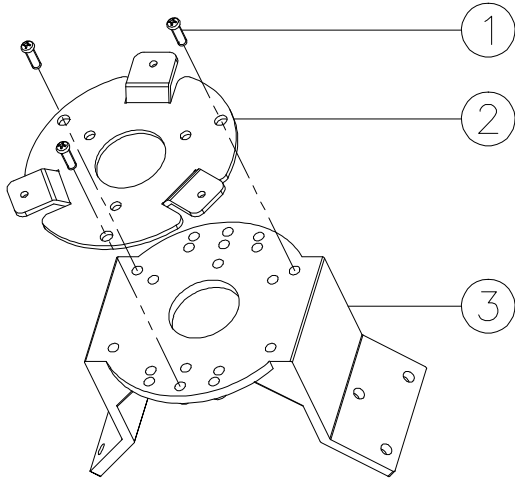
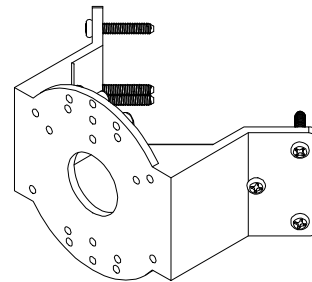


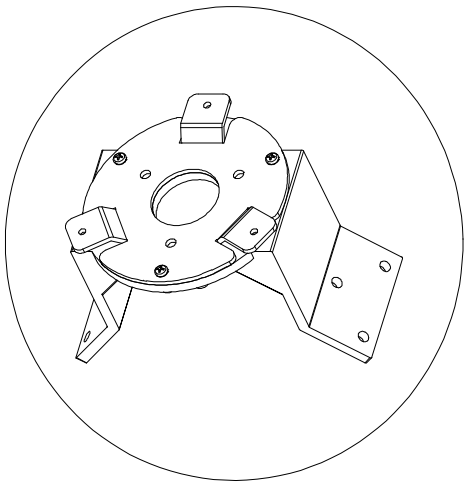
# TURRET MOUNT PLATE INSTALLATION



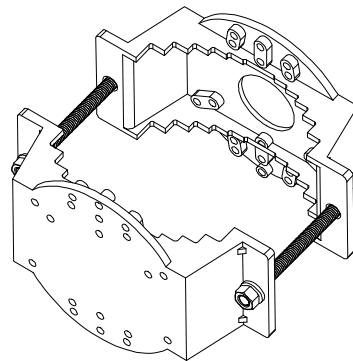
**Exploded view  
[TURRET MOUNT ASS'Y]**



**[CORNER MOUNT ASS'Y]**



**[INSTALLING PLATE AT THE MOUNT ASS'Y]**



**[POLE MOUNT ASS'Y]**

## PART LIST

NO	PART NAME	Q'TY	DESCRIPTION
1	MACHINE SCREW	3	M6x15L
2	TURRET MOUNT PLATE	1	Aluminum,light gray polyester power coat
3	MOUNT PLATE	1	Corner Mount or Pole Mount
4	MACHINE SCREW	3	M5x20L