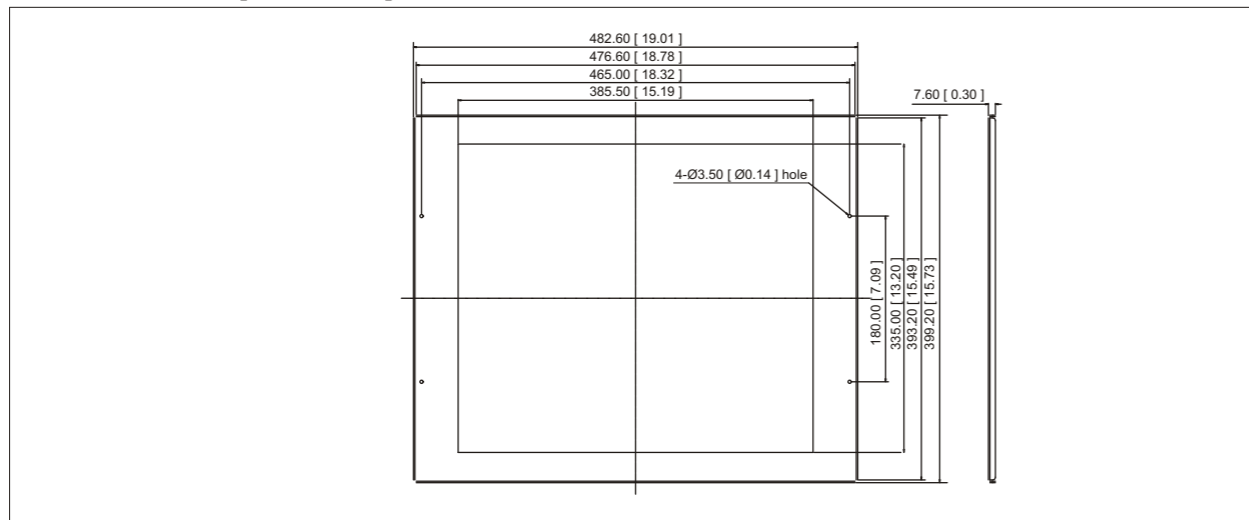
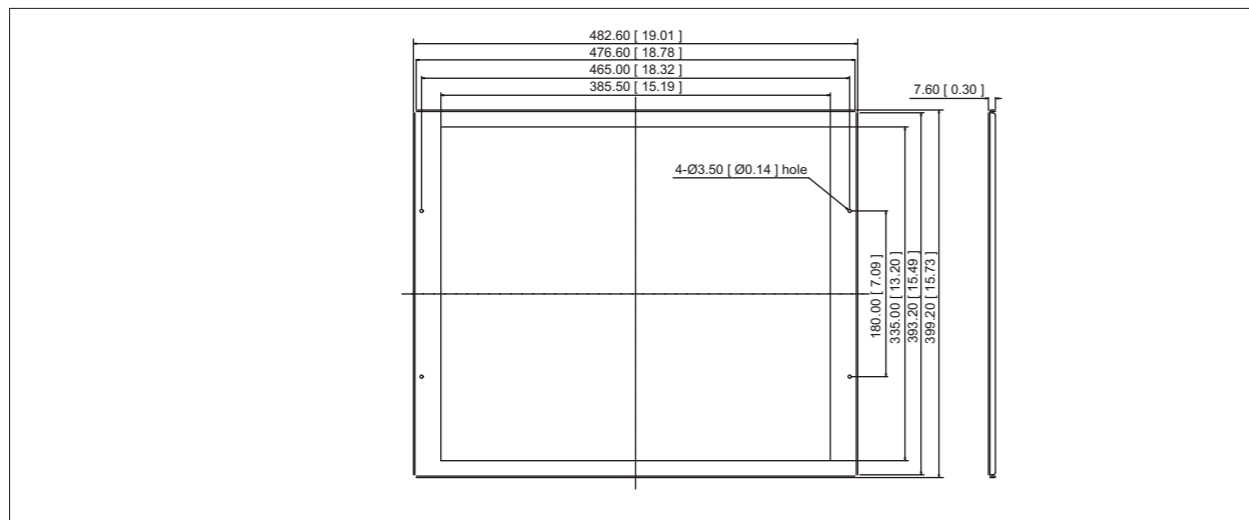


DIMENSION

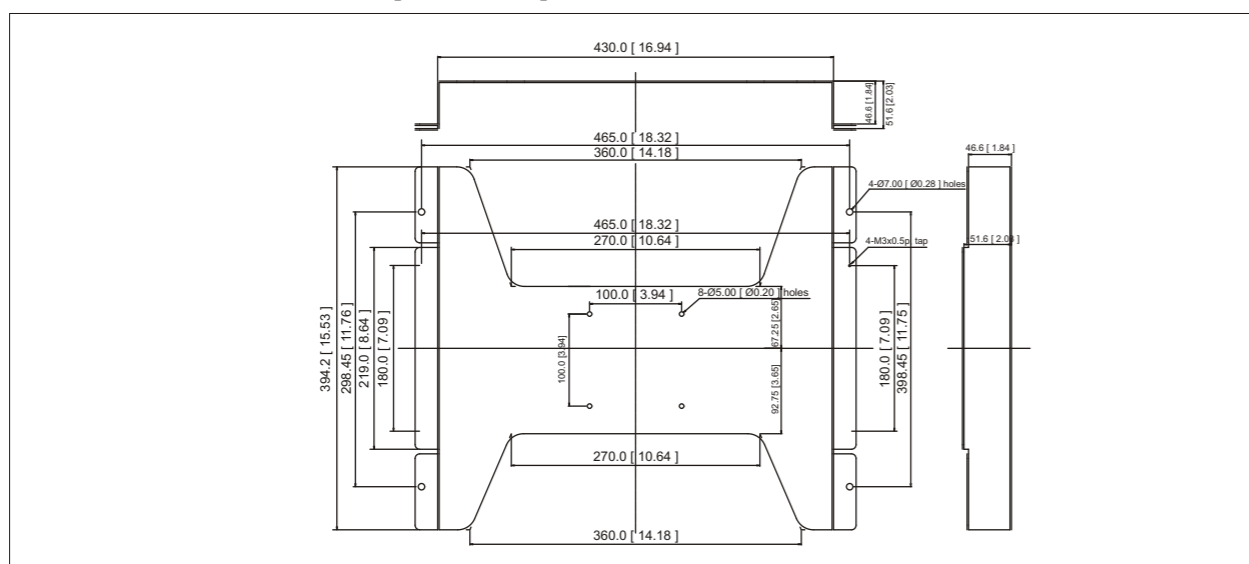
FRONT PANEL [17" LCD]



FRONT PANEL [19" LCD]



REAR MOUNT BRACKET [17" , 19"]

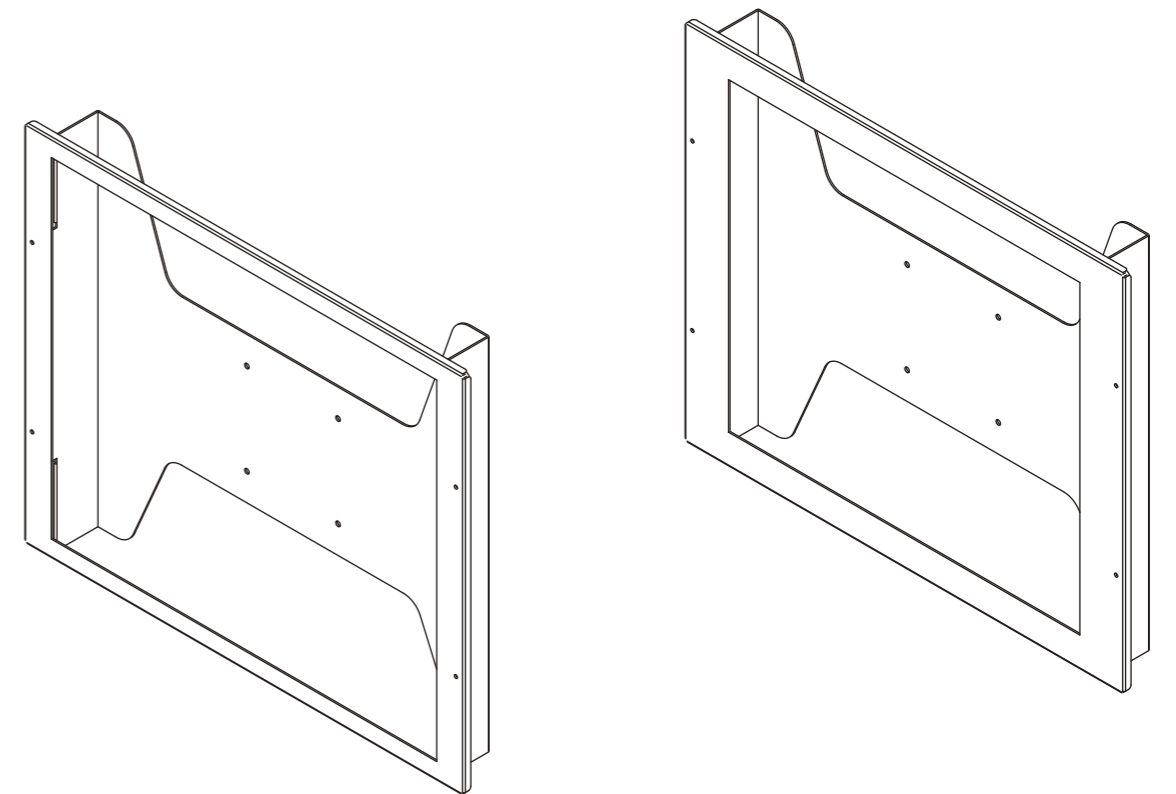


UNIT:mm[inch]

Instruction Manual

Rack Mount Kits

17" PLASTIC LCD MONITOR
19" PLASTIC LCD MONITOR



Please read this manual thoroughly before use, and keep it handy for future reference.

INTRODUCTION

This document provides installation instruction for the rack mount kits.

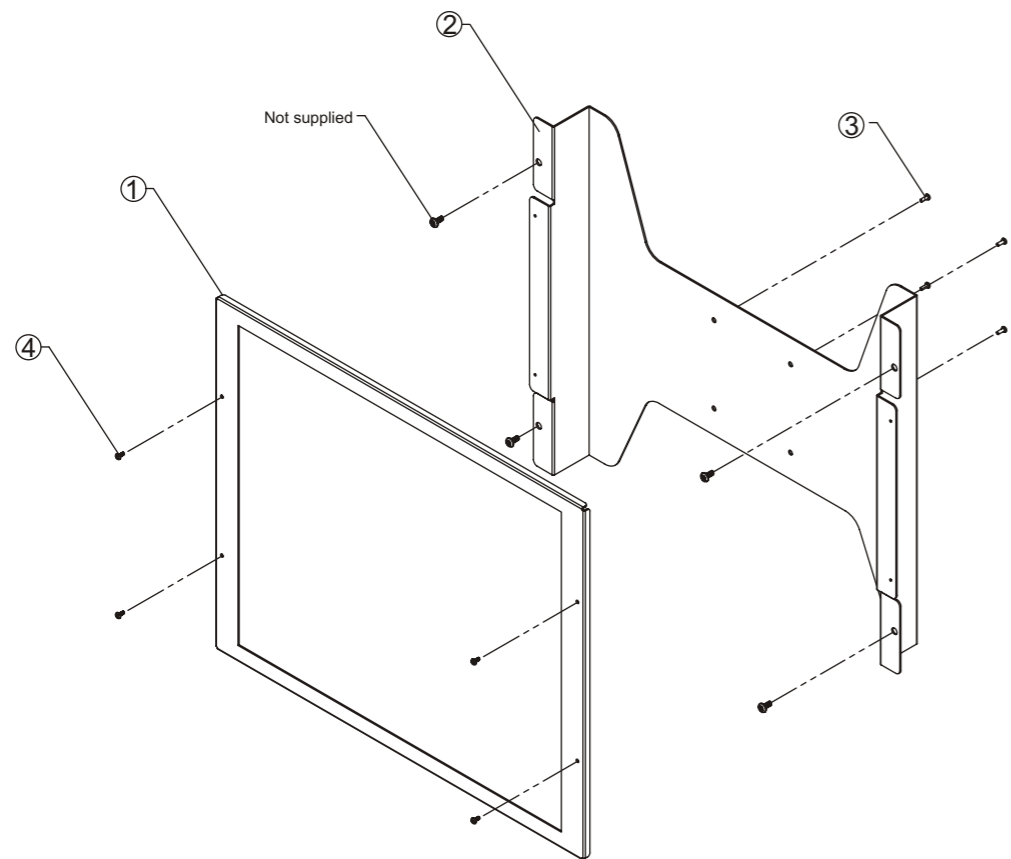
UNPACKING

Verify the parts shown in the parts lists below.

17" , 19" LCD SUB RACK

Items included(Quantity)

- ① Front panel, EGI 1.2t(1)
- ② Rear mount bracket, DGI 1.6T(1)
- ③ Screw machine M4x8L(4)
- ④ Screw machine M3x6L(4)

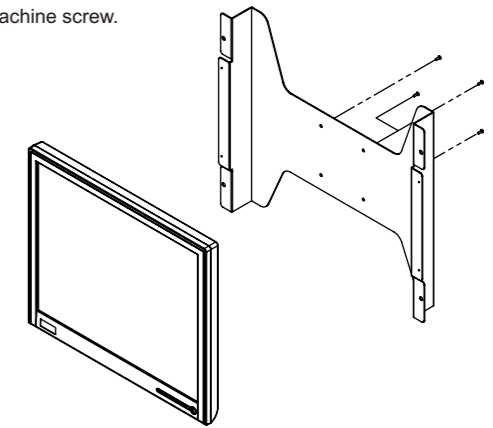


INSTALLATION

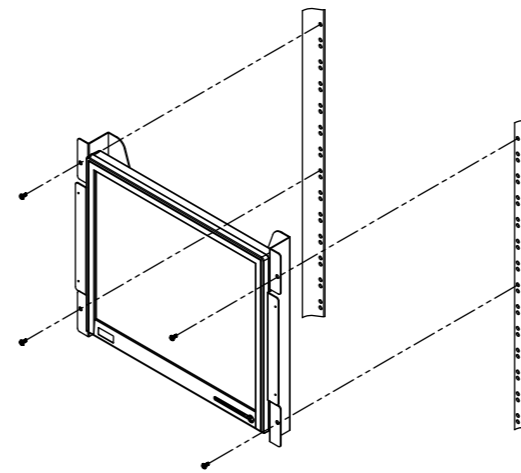
Medium size Phillips screwdriver is required.
Start installation with proper instruction below.

INSTALLATION SEQUENCE

- 1** * Align the rear mount bracket with the screw holes(VESA) in the monitor.
* Attach the rear mount bracket to the LCD monitor using M4x8L(4) machine screw.



- 2** * Align the rear mount bracket holes with the rack holes.
* Attach with four rack mounting screws, which are not included and must be supplied by the installer.
* If the rack mount trail does not have thread, clip four U-clip nuts over the rack rail holes.



- 3** * Attach the front panel with M3x6L machine screws.

