

CONKIT16

16-channel A/V interface



Please read this manual thoroughly before use, and keep it handy for future reference.

WARNING AND CAUTION

WARNING

TO REDUCE THE RISK OF FIRE OR ELECTRIC SHOCK, DO NOT EXPOSE THIS PRODUCT TO RAIN OR MOISTURE. DO NOT INSERT ANY METALLIC OBJECTS THROUGH THE VENTILATION GRILLS OR OTHER OPENINGS ON THE EQUIPMENT.

CAUTION:



EXPLANATION OF GRAPHICAL SYMBOLS



The lightning flash with arrowhead symbol, within an equilateral triangle, is intended to alert the user to the presence of uninsulated "dangerous voltage" within the product's enclosure that may be of sufficient magnitude to constitute a risk of electric shock to persons.



The exclamation point within an equilateral triangle is intended to alert the user to the presence of important operating and maintenance (servicing) instructions in the literature accompanying the product.

PRECAUTIONS

Safety -----

Should any liquid or solid object fall into the cabinet, unplug the unit and have it checked by the qualified personnel before operating it any further.

Unplug the unit from the wall outlet if it is not going to be used for several days or more. To disconnect the cord, pull it out by the plug. Never pull the cord itself.

Allow adequate air circulation to prevent internal heat build-up. Do not place the unit on surfaces (rugs, blankets, etc.) or near materials (curtains, draperies) that may block the ventilation holes. may block the ventilation holes.

Height and vertical linearity controls located at the rear panel are for special adjustments by qualified personnel only.

Installation -----

Do not install the unit in an extremely hot or humid place or in a place subject to excessive dust, mechanical vibration.

The unit is not designed to be waterproof. Exposure to rain or water may damage the unit.

Cleaning -----

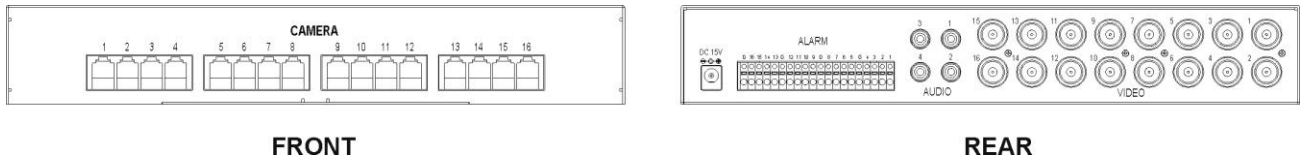
Clean the unit with a slightly damp soft cloth. Use a mild household detergent. Never use strong solvents such as thinner or benzene as they might damage the finish of the unit.

Retain the original carton and packing materials for safe transport of this unit in the future.

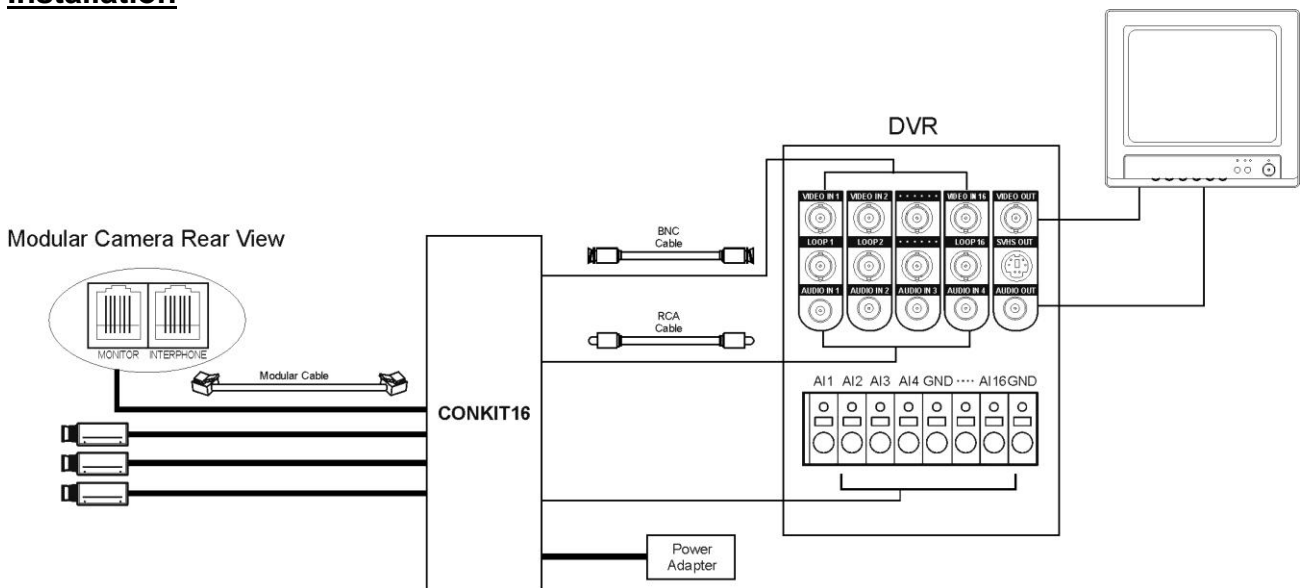
IMPORTANT SAFEGUARDS

1. Read these instructions.
2. Keep these instructions.
3. Heed all warnings.
4. Follow all instructions.
5. Do not use this apparatus near water.
6. Clean only with dry cloth.
7. Do not block any ventilation openings. Install in accordance with the manufacturer's instructions.
8. Do not install near any heat sources such as radiators, heat registers, stoves, or other apparatus (including amplifiers) that product heat.
9. Do not defeat the safety purpose of the polarized or grounding type plug. A polarized plug has two blades with one wider than the other. A grounding type plug has two blades and a third grounding prong. The wide blade or the third prong is provided for your safety.
10. If the provided plug does not fit into your outlet, consult an electrician for replacement of the obsolete outlet.
11. Protect the power cord from being walked on or pinched particularly at plugs, convenience receptacles, and the point where exit from the apparatus.
12. Only use attachments/accessories specified by the manufacturer.
13. Unplug this apparatus during lightning storms or when unused for long periods of time.
14. Refer all servicing to qualified service personnel. Servicing is required when the apparatus has been damaged in any way, such as power-supply cord or plug is damaged, liquid has been spilled or objects have fallen into the apparatus, the apparatus has been exposed to rain or moisture, does not operate normally, or has been dropped.
15. **CAUTION - THESE SERVICING INSTRUCTIONS ARE FOR USE BY QUALIFIED SERVICE PERSONNEL ONLY. TO REDUCE THE RISK OF ELECTRIC SHOCK DO NOT PERFORM ANY SERVICING OTHER THAN THAT CONTAINED IN THE OPERATING INSTRUCTIONS UNLESS YOU ARE QUALIFIED TO DO SO.**

The CONKIT16 is a 4-channel audio and 16-channel video interface permitting connection from up to sixteen modular 6-pin type (RJ-11) cameras directly to a multi-channel digital video recorder (DVR). The interface provides breakout of the RJ-11 video, audio, alarm and power to separate connections (BNC connectors for video, RCA connectors for audio and push-terminal for alarm). The 15VDC power adapter is included for camera power. Power from the CONKIT to each camera is protected by a self resetting Poly fuse rated at 0.75 ampere. The CONKIT16 may be wall mounted using the supplied mounting hardware.



Installation



EQUIPMENT SPECIFICATIONS

REGULATORY CONFORMITY: UL, CUL, RoHS

Connections	Input	Sixteen 6-pin modular jack, RJ11
	Output	Sixteen BNC for video connection. Four RCA for audio output. 20-pin terminal block including 4-grounds for alarm connection
	Power Input	DC jack.
Power supply	DC 15Vdc 5.3A Camera port : DC15Vdc 0.33A(each output terminal 0.33A)	
Physical characteristics	Dimensions(WxHxD)	11.08" x 1.77" x 2.54" (281..4mm X 45mm X 64.5 mm)
	Net Weight	1.43lbs. (650g) (approx.)
Operating environment	Ambient temperature	0° - 35° C (32° - 95° F)
	Ambient humidity	10% - 90% (non-condensing)

"Do NOT use power source other than that specified."

How to install the wall mounting hardware

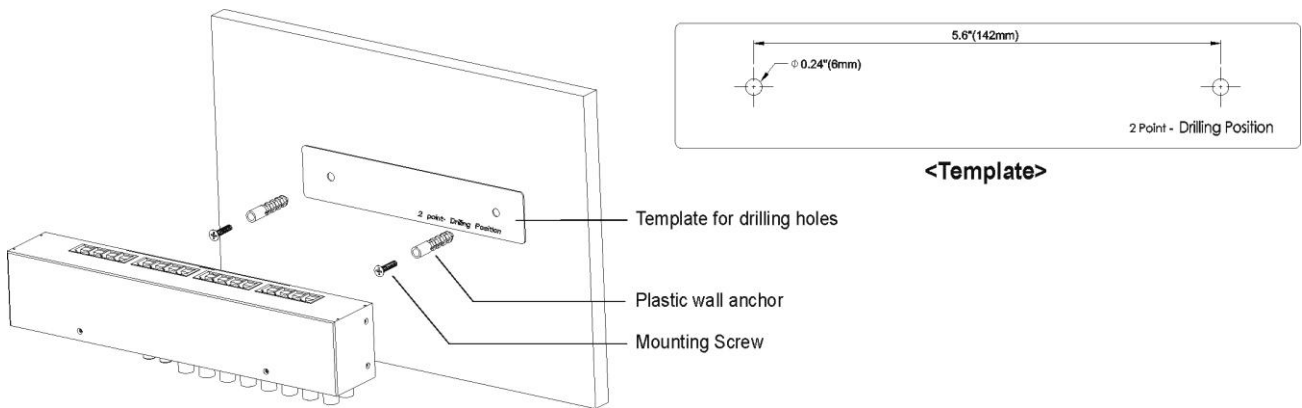


Figure 1

- A. When using the supplied plastic wall anchors, drill two 0.24" (6mm) holes spaced 5.6" (142mm) apart or use the template. See Figure 1.
- B. Insert the two plastic wall anchors into the holes.
- C. Insert the two M4.0 mounting screws and tighten until approximately 0.18" (4.5mm) remains exposed. See Figure 2.

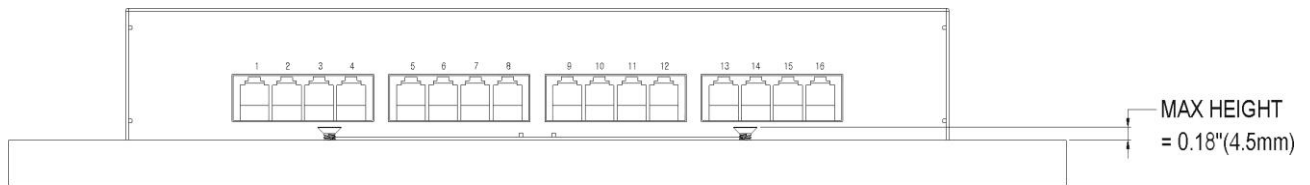


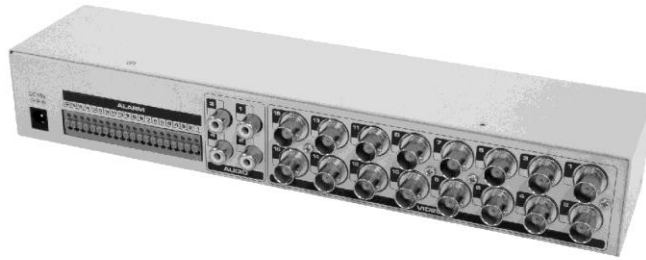
Figure 2

- D. Place the CONKIT16 interface box on the wall or other mounting surface using the key-hole slots located on the rear of the case.
- E. Connect the RJ-11 camera cables to the RJ11 connectors, the BNC cables (included) and the RCA audio cables (ordered separately) to the interface box.
- F. If external alarms are wired using the RJ-11 camera connections, it will be necessary to connect the appropriate alarm output from the interface box to the DVR using suitable twisted pair alarm wire.
- G. Connect the external 15VDC power supply plug to the interface box.
- H. Connect the 120VAC power cable to the external power adapter and connect to a 120VAC wall outlet.

PACKAGE CONTENTS:

16 Channel CONKIT
Power supply 15VDC w/power cord-DC jack
IEEE Line cord (US)
Template for drilling mounting holes
(2) plastic anchors
(2) M-4.0 mounting screws
(16) Coaxial cable w/BNC connectors 1M length
(1) Coaxial cable w/BNC connectors 2M length
This manual

CONKIT16



I n s t r u c t i o n M A N U A L