

# A-S230CWX

## COLOR BULLET CAMERA



### PRECAUTIONS

#### \* Power Requirements

The equipment should be operated only with the type of power source indicated on the marking label. This camera is designed for use with a regulated 15V DC power source.

#### Impedance

This camera is to be used with a standard 75 ohm impedance monitor. On monitors with both a high and standard impedance mode, ensure the impedance mode is set to standard.

#### Service

Do not attempt to service the camera yourself. There are no user serviceable parts inside. Refer servicing to a qualified service technician.

#### Light Exposure

Do not aim or point the camera towards the sun or into a bright light.

### SPECIFICATIONS

Image Device	1/3" super HAD SONY CCD
Signal System	60Hz
Effective Pixels	510(H) × 492(V)
Scanning System	2:1 Interlace
Sync. System	Internal
Horizontal Resolution	More than 380 TVL
Sensitivity	0.5Lux / F2.0
S / N Ratio	More than 48dB
Gamma Correction	$\gamma = 0.45$
Video Output	Composite 1Vp-p, 75(Ω) unbalanced
Electronic Shutter	1/60 ~ 1/100,000 sec Auto
Power Supply	15V DC(±10%)
Operating Temperature	14°F ~ 104°F (-10°C ~ +40°C)
Storage Temperature	-22°F ~ 122°F (-30°C ~ +50°C)
Weight	2.65 oz (75g)
Dimension	23(mm) φ × 75(mm)
Lens	f3.6mm fixed focal board type lens.

### CAMERA CONNECTIONS

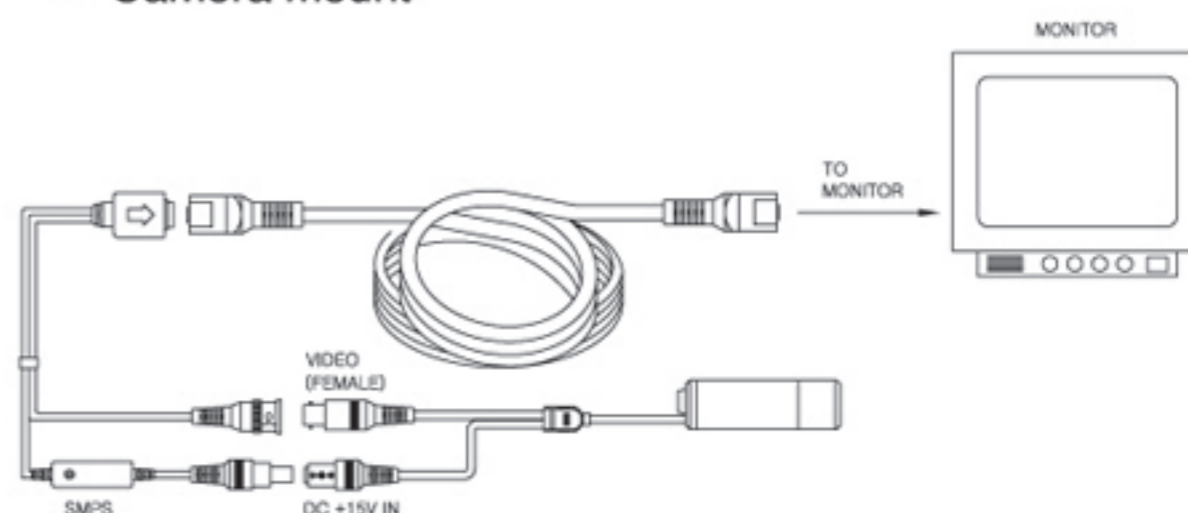
The A-S230CWX camera can be used in video systems with either BNC or Modular connections.

The cable on the camera has a BNC connection for video output and a power connector for a 15V DC power source (not included).

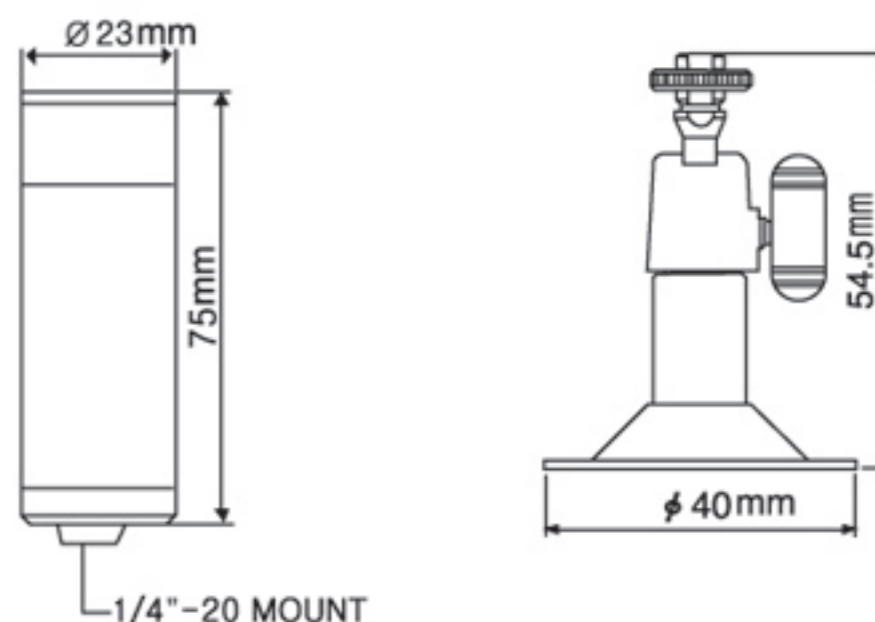
For use in applications with modular connections, the BNC-to-RJ11 Adapter Cable included with the camera connects between the BNC and Power connection on the camera to an RJ11 cable (not included).

The A-S230CWX camera comes with the following cables and accessories:

- 60 ft (18M) cable with RJ11 connections on each end
- BNC-to-RJ11 Adapter Cable
- Camera mount



### DIMENSIONS



#### This device complies with Part 15 of the FCC Rules. Operation is subject to the following two conditions;

1. This device may not cause harmful interference.
2. This device must accept any interference received, including interference that may cause undesired operation.

**Note** - This equipment has been tested and found to comply with limits for a Class B digital device, pursuant to part 15 of the FCC Rules. These limits are designed to provide reasonable protection against harmful interference in a residential installation. This equipment generates, uses, and can radiate radio communications. However, there is no guarantee that interference will not occur in a particular installation. If this equipment off and on, the user is encouraged to try to correct the interference by one or more of the following measures :

- Reorient or relocate the receiving antenna
- Increase the separation between the equipment and receiver.
- Connect the equipment into an outlet on a circuit different from that to which the receiver is connected.
- Consult the dealer or an experienced radio / tv technician for help.

**Caution** - Any changes or modifications in construction of this device which are not expressly approved by the party responsible for compliance could void the user's authority to operate the equipment.

**This goods does not apply to UL (Underwriters Laboratories).**