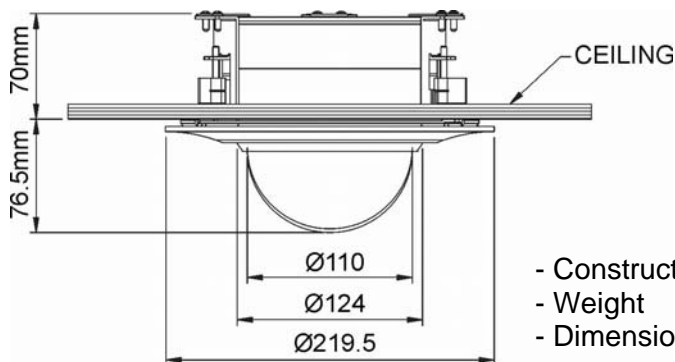


# Appendix G — Flush Mount Hardware

## 1. INTRODUCTION

This mounting device enables the dome camera to be mounted to the suspended ceiling. The mounting clamps, which are affixed to the ceiling tile, attach directly to the dome's mounting base for a quick and easy installation.

## 2. SPECIFICATIONS



- Construction Steel and injection-molded plastic
- Weight Approx. 2.5 kg (5.5 lbs)
- Dimension Diameter = 219.5mm, Height = 146.5mm

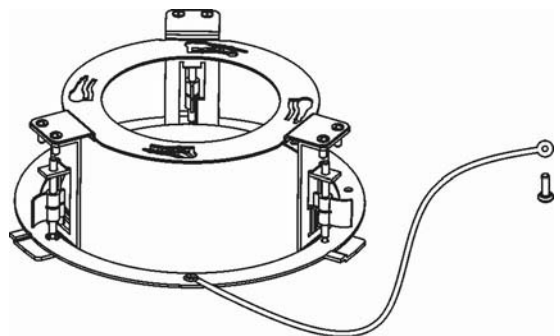
Figure 10 – Dimension Drawing

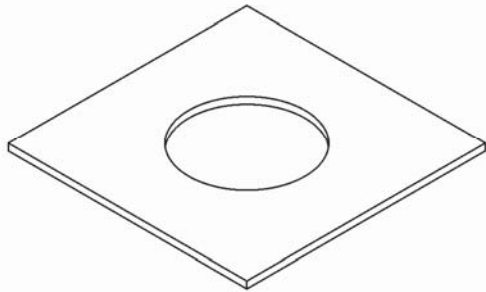
## 3. INSTALLATION

**NOTE: The ceiling tile cannot be thicker than 0.9inch (2.4cm).**

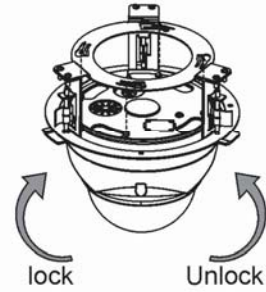
- Remove the ceiling tile from the ceiling. Draw a circle whose diameter is 184mm on the tile (You can use the carton with a hole). Cut the circle out of the ceiling tile. [ **Figure 11** ]
- To install the dome camera, fasten the bottom case to the base bracket [ **Figure 17, ②** ] using 4 screws on the bottom case by twisting the dome camera. [ **Figure 12** ]
- Insert the flush mount into the ceiling and turn the lever clamp [ **Figure 17, ④** ] using 3 screws. [ **Figure 17, ⑥** ]
- Fix the trim ring [ **Figure 17, ①** ] to the flush mount. [ **Figure 15** ]

**NOTE: To increase the safety, screw safety ring string to the guide bracket and something which can prevent falling incidentally.**

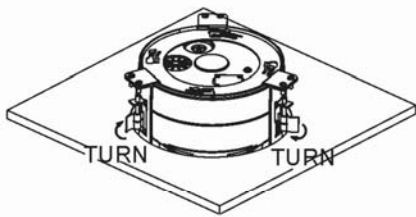




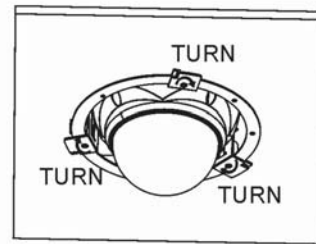
[ Figure 11 ]



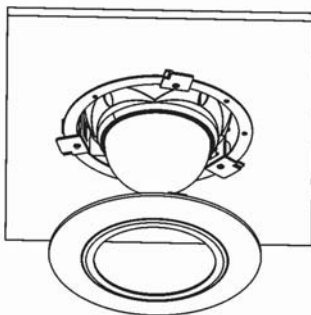
[ Figure 12 ]



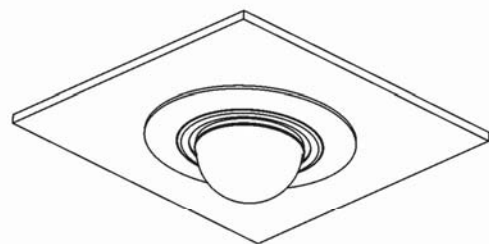
[ Figure 13 ]



[ Figure 14 ]

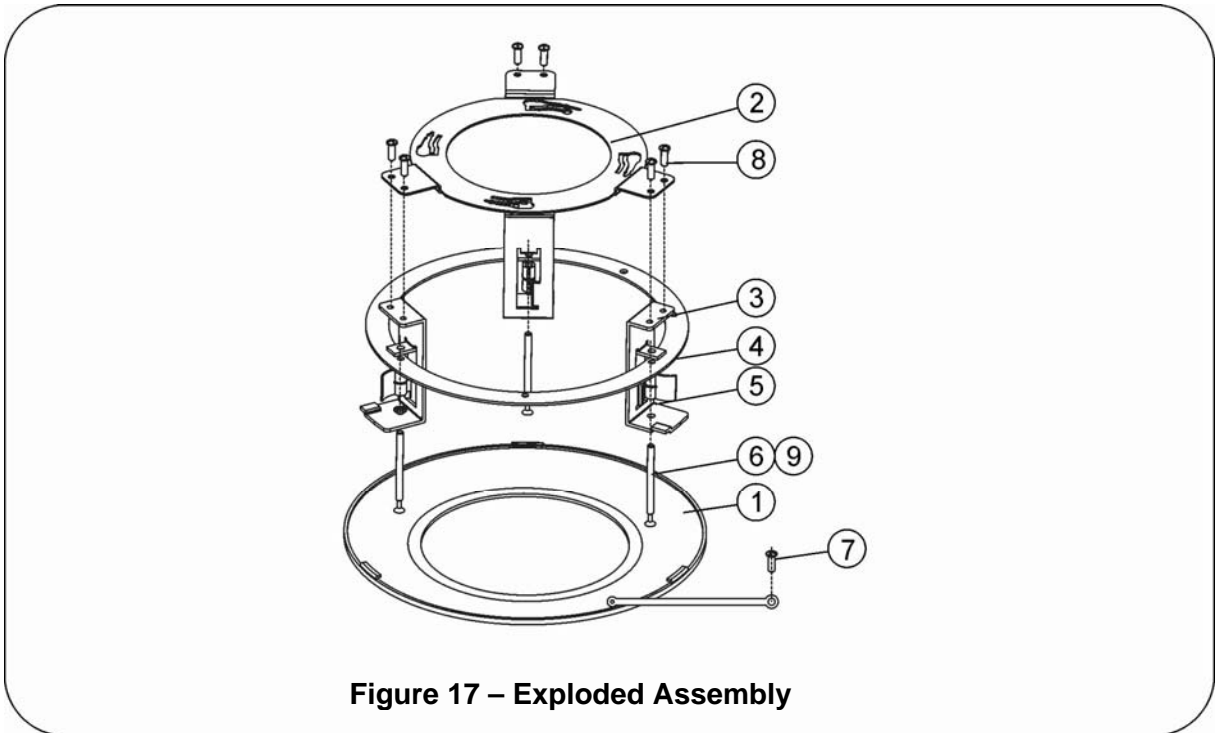


[ Figure 15 ]



[ Figure 16 ]

## 4. EXPLODED ASSEMBLY PARTS LIST



## EXPLODED ASSEMBLY PARTS LIST

Item	PART NAME	Q'ty	DESCRIPTION
1	Ass'y TRIM RING	1	ABS & SAFETY CABLE
2	BASE BRACKET	1	STEEL (EGI 1.6T)
3	GUIDE BRACKET	3	STEEL (EGI 2.0T)
4	LEVER CLAMP	3	AI EXTRUDE (M4)
5	DOME RING	1	STEEL (EGI 1.6T)
6	SCREW SPECIAL	3	M4, L=55, MSWR
7	SCREW MACHINE	7	M4, L=6
8	E-RING	3	D= Ø4