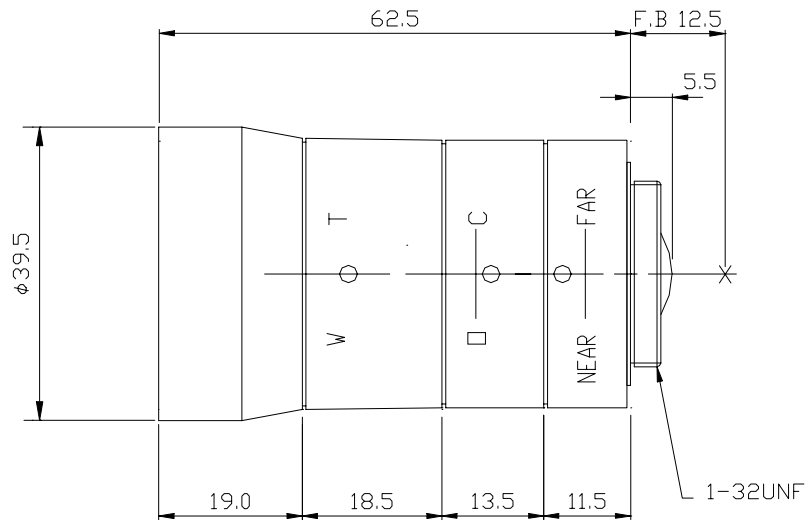


RAYMAX CCTV LENS

LTV12Z0516CS



UNIT:mm

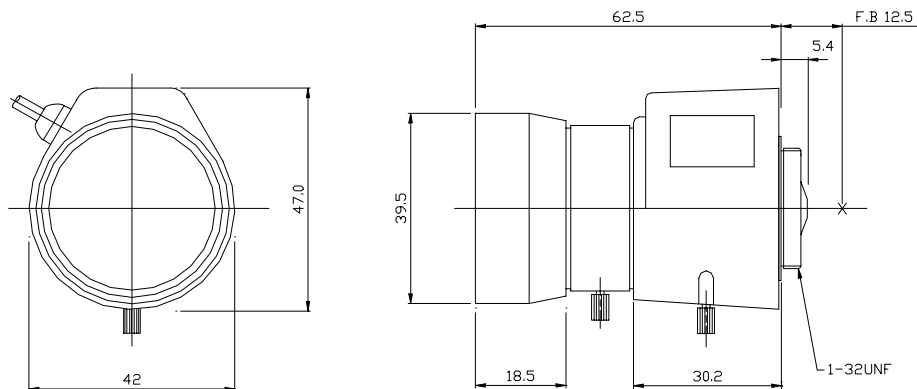
[SPECIFICATION]

FORMAT	1/3"		
MOUNT	CS MOUNT		
FOCAL LENGTH	5 - 60 mm		
IRIS RANGE	F1.6 - CLOSE		
ANGLE FIELD OF VIEW	(1/2")	*	*
		*	*
	(1/3")	65.5 (D) x 52.5 (H) x 39.4 (V) [°] (WIDE)	
		5.8 (D) x 4.6 (H) x 3.4 (V) [°] (TELE)	
M.O.D.	0.3 M		
FLANGE BACK LENGTH	12.5 mm		
BACK FOCAL LENGTH	7.62 mm		
DIMENSIONS	$\phi 39.5 \times 62.5$ (L) mm		
WEIGHT	Approx. 115 g		
OPERATION	<IRIS>	MANUAL	WITH LOCK SCREW
	<FOCUS>	MANUAL	WITH LOCK SCREW
	<ZOOM>	MANUAL	WITH LOCK SCREW
OPERATING TEMPERATURE	-10 - +50°C		

Specification are subject to change without notice.

RAYMAX CCTV LENS

LTV12Z0516GCS



UNIT:mm

[SPECIFICATION]

FORMAT	1/3"		
MOUNT	CS MOUNT		
FOCAL LENGTH	5 - 60 mm		
IRIS RANGE	F1.6 - 360		
ANGLE FIELD OF VIEW	(1/2")	*	*
		*	*
	(1/3")	65.5 (D) x 52.5 (H) x 39.4 (V)° (WIDE)	
		5.8 (D) x 4.6 (H) x 3.4 (V)° (TELE)	
M.O.D.	0.3 M		
FLANGE BACK LENGTH	12.5 mm		
BACK FOCAL LENGTH	7.62 mm		
DIMENSIONS	42.0 (W) x 47.0 (H) x 62.5 (L) mm		
WEIGHT	Approx. 123 g		
OPERATION	<IRIS>	AUTO	DRIVING COIL : 190Ω ± 10% (20°C)
		(DC)	CLOSE-OPEN less than 4.0V
			OPEN-CLOSE more than 0.5V
			DAMPING COIL : 700Ω ± 10% (20°C)
			RESPONSE SPEED : 3.0sec. or less
	<FOCUS>	MANUAL	WITH LOCK SCREW
	<ZOOM>	MANUAL	WITH LOCK SCREW
OPERATING TEMPERATURE	-10 - +50°C		

[CABLE CONNECTION]

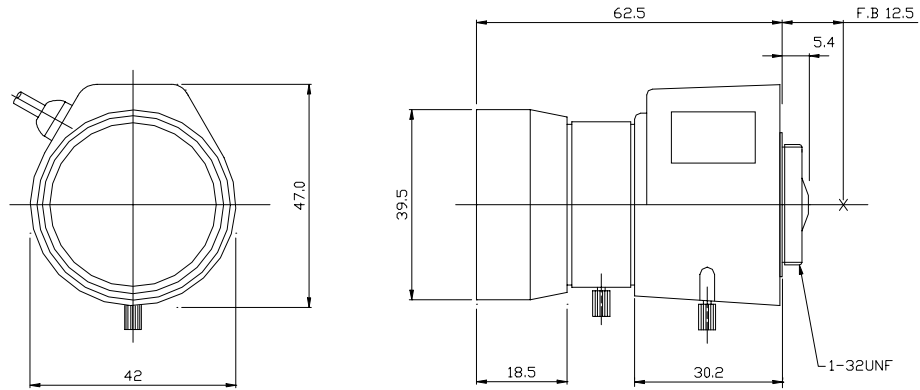
<4 CORE CABLE FOR AUTO-IRIS > 4PIN STANDARD PLUG ATTACHED

RED	DAMP(-)	
BLACK	DAMP(+)	OPEN
WHITE	DRIVE(+)	OPEN
GREEN	DRIVE(-)	

Specification are subject to change without notice.

RAYMAX CCTV LENS

LTV12Z0516GACS



UNIT:mm

[SPECIFICATION]

FORMAT	1/3"		
MOUNT	CS MOUNT		
FOCAL LENGTH	5 - 60 mm		
IRIS RANGE	F1.6 - 360		
ANGLE FIELD OF VIEW	(1/2")	* * * *	
	(1/3")	* * * *	
			65.5 (D) x 52.5 (H) x 39.4 (V)° (WIDE)
			5.8 (D) x 4.6 (H) x 3.4 (V)° (TELE)
M.O.D.	0.3 M		
FLANGE BACK LENGTH	12.5 mm		
BACK FOCAL LENGTH	7.62 mm		
DIMENSIONS	42.0 (W) x 47.0 (H) x 62.5 (L) mm		
WEIGHT	Approx. 125 g		
OPERATION	<IRIS>	AUTO	INPUT VOLTAGE : DC8 - 16V, MAX. 30 mA
		(VIDEO)	INPUT SIGNAL : VIDEO SIGNAL (V or VS)
			INPUT IMPEDANCE : HIGH IMPEDANCE
			SENSITIVITY ADJUSTMENT : 0.5 - 1.0 Vp-p
			RESPONSE SPEED : 3.0sec. or less
	<FOCUS>	MANUAL	WITH LOCK SCREW
	<ZOOM>	MANUAL	WITH LOCK SCREW
OPERATING TEMPERATURE	-10 - +50°C		

[CABLE CONNECTION]

< 3 CORE CABLE FOR AUTO-IRIS >

WHITE	VIDEO SIGNAL	0.5 - 1.0Vp-p
RED	POWER (+)	DC8 - 16V
BLACK	POWER (-)	GND

Specification are subject to change without notice.