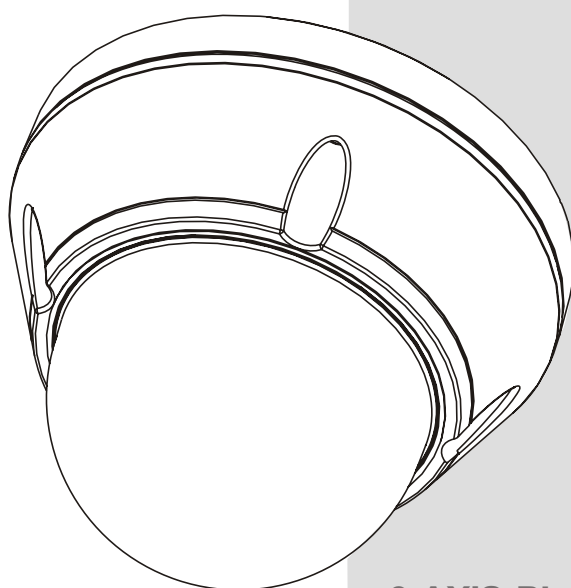


# 600TV Lines Super High Resolution Color Camera



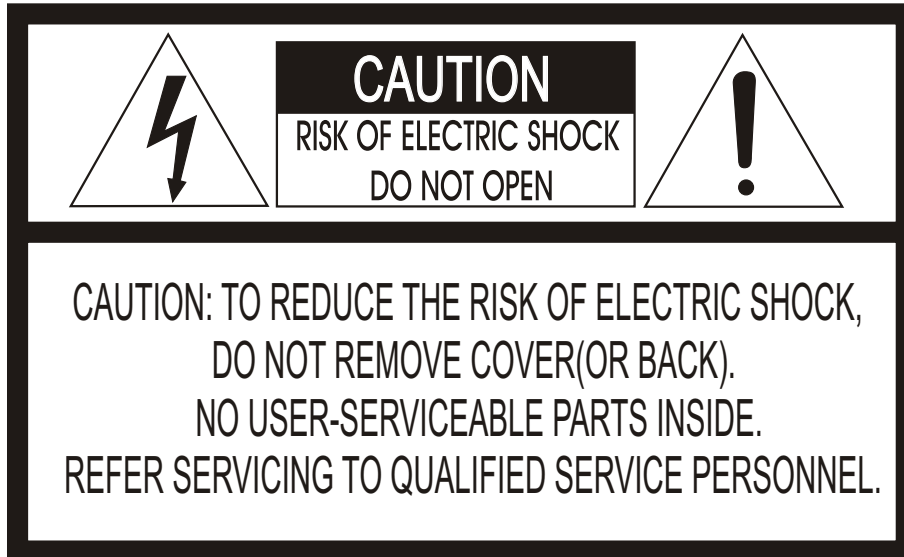
- 3-AXIS PLASTIC DOME CAMERA
- 3-AXIS INFRARED - LED PLASTIC DOME CAMERA

*Please read this manual thoroughly before use, and keep it handy for future reference.  
Design and specifications are subject to change without notice.*

## WARNINGS AND CAUTIONS:

TO REDUCE THE RISK OF FIRE OR ELECTRIC SHOCK, DO NOT EXPOSE THIS PRODUCT TO RAIN OR MOISTURE. DO NOT INSERT ANY METALLIC OBJECTS THROUGH THE VENTILATION GRILLS OR OTHER OPENINGS ON THE EQUIPMENT.

### CAUTION:



## EXPLANATION OF GRAPHICAL SYMBOLS



The lightning flash with arrowhead symbol, within an equilateral triangle, is intended to alert the user to the presence of uninsulated "dangerous voltage" within the product's enclosure that may be of sufficient magnitude to constitute a risk of electric shock to persons.



The exclamation point within an equilateral triangle is intended to alert the user to the presence of important operating and maintenance (servicing) instructions in the literature accompanying the product.

## PRECAUTIONS

### Installation -----

Do not install the unit in an extremely hot or humid place or in a place subject to excessive dust, mechanical vibration.

### Cleaning -----

Clean the unit with a slightly damp soft cloth.  
Use a mild household detergent. Never use strong solvents such as thinner or benzene as they might damage the finish of the unit.

Retain the original carton and packing materials for safe transport of this unit in the future.

## FCC COMPLIANCE STATEMENT

**FCC INFORMATION** : THIS EQUIPMENT HAS BEEN TESTED AND FOUND TO COMPLY WITH THE LIMITS FOR A CLASS A DIGITAL DEVICE, PURSUANT TO PART 15 OF THE FCC RULES. THESE LIMITS ARE DESIGNED TO PROVIDE REASONABLE PROTECTION AGAINST HARMFUL INTERFERENCE WHEN THE EQUIPMENT IS OPERATED IN A COMMERCIAL ENVIRONMENT. THIS EQUIPMENT GENERATES, USES, AND CAN RADIATE RADIO FREQUENCY ENERGY AND IF NOT INSTALLED AND USED IN ACCORDANCE WITH THE INSTRUCTION MANUAL, MAY CAUSE HARMFUL INTERFERENCE TO RADIO COMMUNICATIONS. OPERATION OF THIS EQUIPMENT IN A RESIDENTIAL AREA IS LIKELY TO CAUSE HARMFUL INTERFERENCE IN WHICH CASE THE USER WILL BE REQUIRED TO CORRECT THE INTERFERENCE AT HIS OWN EXPENSE.

**CAUTION** : CHANGES OR MODIFICATIONS NOT EXPRESSLY APPROVED BY THE PARTY RESPONSIBLE FOR COMPLIANCE COULD VOID THE USER'S AUTHORITY TO OPERATE THE EQUIPMENT.

THIS CLASS A DIGITAL APPARATUS COMPLIES WITH CANADIAN ICES-003.

CET APPAREIL NUMÉRIQUE DE LA CLASSE A EST CONFORME À LA NORME NMB-003 DU CANADA.

## CE COMPLIANCE STATEMENT

### **WARNING**

THIS IS A CLASS A PRODUCT. IN A DOMESTIC ENVIRONMENT THIS PRODUCT MAY CAUSE RADIO INTERFERENCE IN WHICH CASE THE USER MAY BE REQUIRED TO TAKE ADEQUATE MEASURES.

# IMPORTANT SAFEGUARDS

---

1. Read these instructions.
2. Keep these instructions.
3. Heed all warnings.
4. Follow all instructions.
5. Do not use this apparatus near water.
6. Clean only with dry cloth.
7. Do not block any ventilation openings. Install in accordance with the manufacturer's instructions.
8. Do not install near any heat sources such as radiators, heat registers, stoves, or other apparatus (including amplifiers) that produce heat.
9. Do not defeat the safety purpose of the polarized or grounding-type plug. A polarized plug has two blades with one wider than the other. A grounding type plug has two blades and a third grounding prong. The wide blade or the third prong are provided for your safety. If the provided plug does not fit into your outlet, consult an electrician for replacement of the obsolete outlet.
10. Protect the power cord from being walked on or pinched particularly at plugs, convenience receptacles, and the point where they exit from the apparatus.
11. Only use attachments/accessories specified by the manufacturer.
12. Use only with the cart, stand, tripod, bracket, or table specified by the manufacturer, or sold with the apparatus. When a cart is used, use caution when moving the cart/apparatus combination to avoid injury from tip-over.
13. Unplug this apparatus during lightning storms or when unused for long periods of time.
14. Refer all servicing to qualified service personnel. Servicing is required when the apparatus has been damaged in any way, such as power-supply cord or plug is damaged, liquid has been moisture, does not operate normally, or has been dropped.
15. **CAUTION THESE SERVICING INSTRUCTIONS ARE FOR USE BY QUALIFIED SERVICE PERSONNEL ONLY. TO REDUCE THE RISK OF ELECTRIC SHOCK DO NOT PERFORM ANY SERVICING OTHER THAN THAT CONTAINED IN THE OPERATING INSTRUCTIONS UNLESS YOU QRE QUALIFIED TO DO SO.**
16. **Use satisfy clause 2.5 of IEC60950-1/UL60950-1 or Certified/Listed Class 2 power source only.**



# INTRODUCTION

---

The camera provides high-quality images using Sony CCD technology especially designed for closed-circuit television (CCTV) and security surveillance applications.

## Features:

- High resolution and high performance Sony® Super HAD™ II Technology
- Excellent picture quality
- 600 lines(Color) of resolution
- 0.1 lux(Color), 0.04lux(B/W) @ F1.2 50IRE Sensitivity
- 0.1 lux(Color), 0 lux(B/W, IR LED ON) @ F1.2 50IRE Sensitivity (IR CAMERA ONLY)
- Auto electronic shutter [1/60(1/50) ~ 1/100,000] and manual electronic shutter modes
- OSD (On Screen Display)
- Auto and manual white balance modes
- DWDR
- OSD Font Color (16 Color)
- BLC (Back Light Compensation)
- Smart IR (IR CAMERA ONLY)
- 30EA, 850mm IR LED ( IR CAMERA ONLY)
- Day&Night (Auto / DAY / NIGHT / EXT)
- Private Mask (8 position, 16 Colors)
- AGC (Auto Gain Control)
- MIRROR (ON/OFF)
- VIDEO OUT BNC
- Motion Detection(4 point)
- HLC (High Light Compensation)
- DPC (Dead Pixel Cancellation)
- 2.8~12mm A/I Varifocal Lens F1.2 (D&N Lens option)
- Operates in AC24V +/- 10% / DC12V +/- 10%
- Use Certified / Listed Class 2 power source only
- Test monitor Output
- Camera Mount : camera mount directly to the wall or ceiling

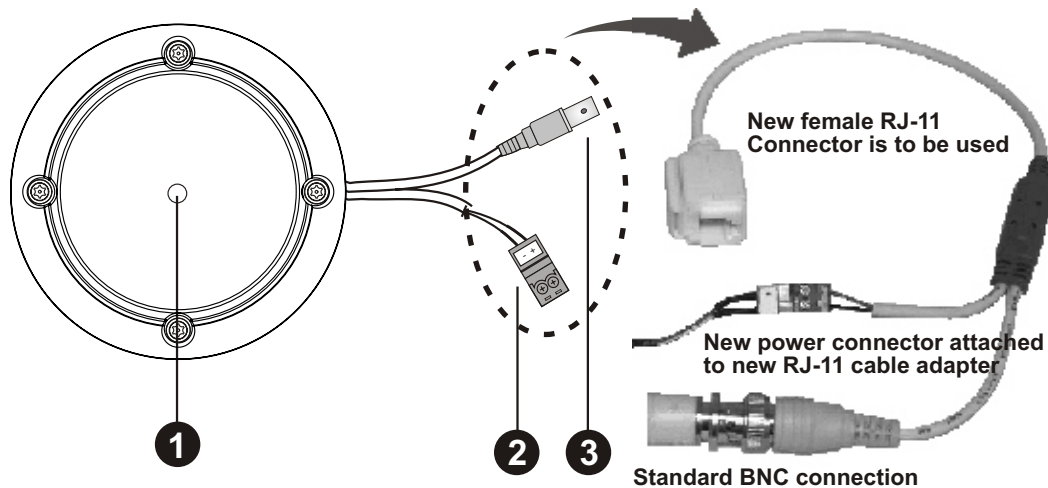


**IMPORTANT :** The user of this camera is responsible for checking and complying with local, state, and federal laws and statutes concerning the recording and monitoring of audio signals.

---

# CAMERA CONNECTIONS

---



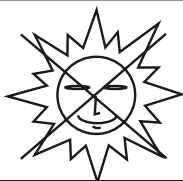
- 1. Lens :** 2.8~12mm A/I Vari-focal lens for wide area monitoring. (D&N with ICR model option)
- 2. Power :** 24V AC input / 12V DC input  
power source from a DC 12V or AC 24V ac +/-10% 60/50Hz +/-1Hz  
Use Certified/Listed Class 2 power source only.  
\*If using DC 12V power adaptor,  
use a power supply capable of supplying 5 Watts. (IR model 7Watts)
- 3. Video :** BNC connector used to connect the camera to a monitor, switcher, etc.

## CONTENTS of PACKAGE

---

The package contains the following.

1. Camera in Housing .....	1
2. Instruction Manual (This Document).....	1
3. Accessory Kit for Installing.....	1
4. Drilling guide label .....	1
5. RJ11 to BNC/Power cable adaptor.....	1
6. 60ft RJ11 cable.....	1
7. Test monitor cable .....	1



### REMINDER:

Never aim the camera directly into the sun.

# INSTALLATION

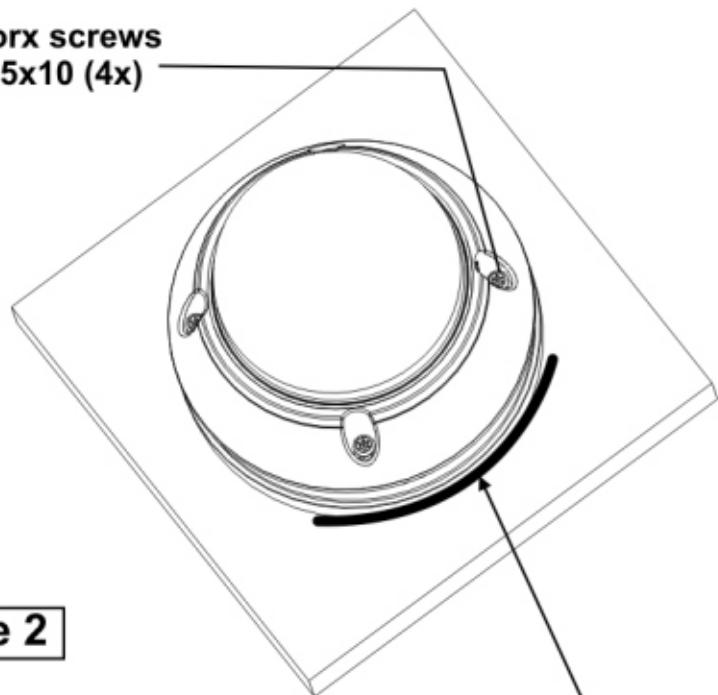
---

1. Loosen the four torx screws located midway up the front of the housing leave the screws intact in the front portion. **(Fig. 1)**
2. Drill the mounting location using the supplied drill guide label. **(Fig. 3)**
3. Attach the housing to the ceiling using suitable fasteners, M6x35 tapping screws are supplied only use if they are suitable. **(Fig. 3)**
4. Closing the housing using the loosen torx screws. **(Fig. 2)**



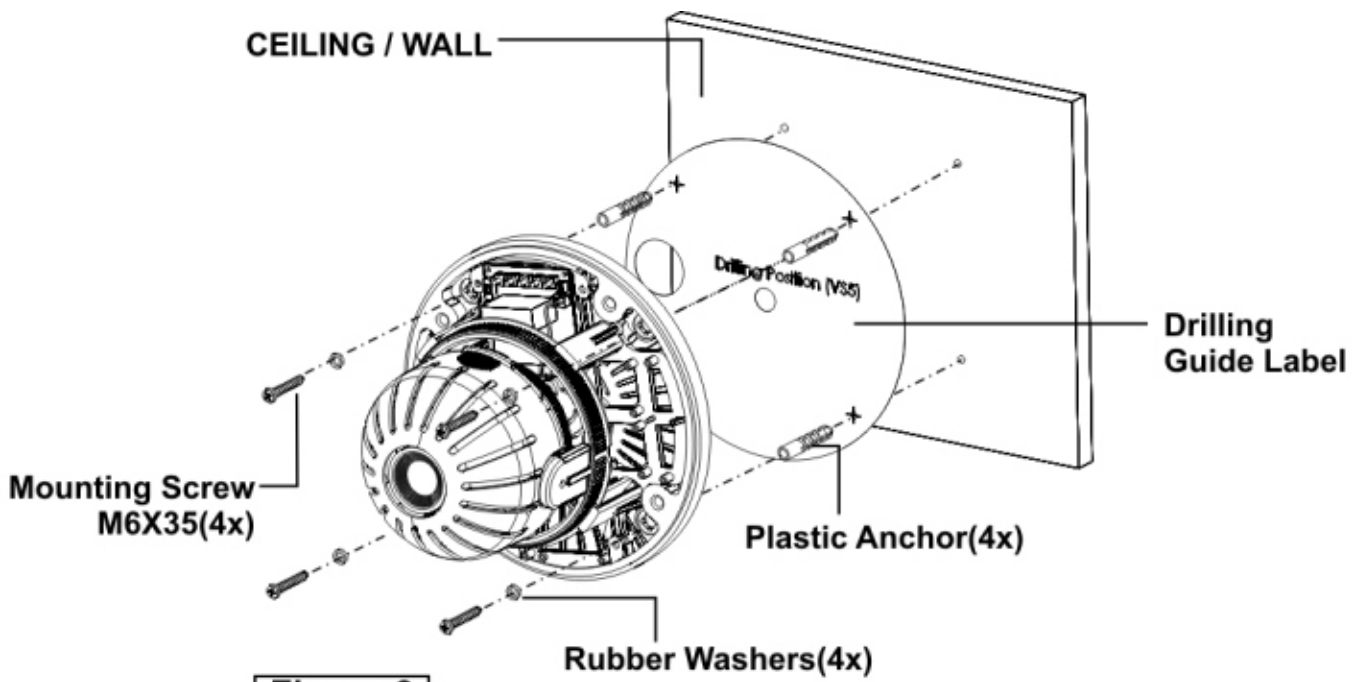
**Figure 1**

**Torx screws  
M5x10 (4x)**



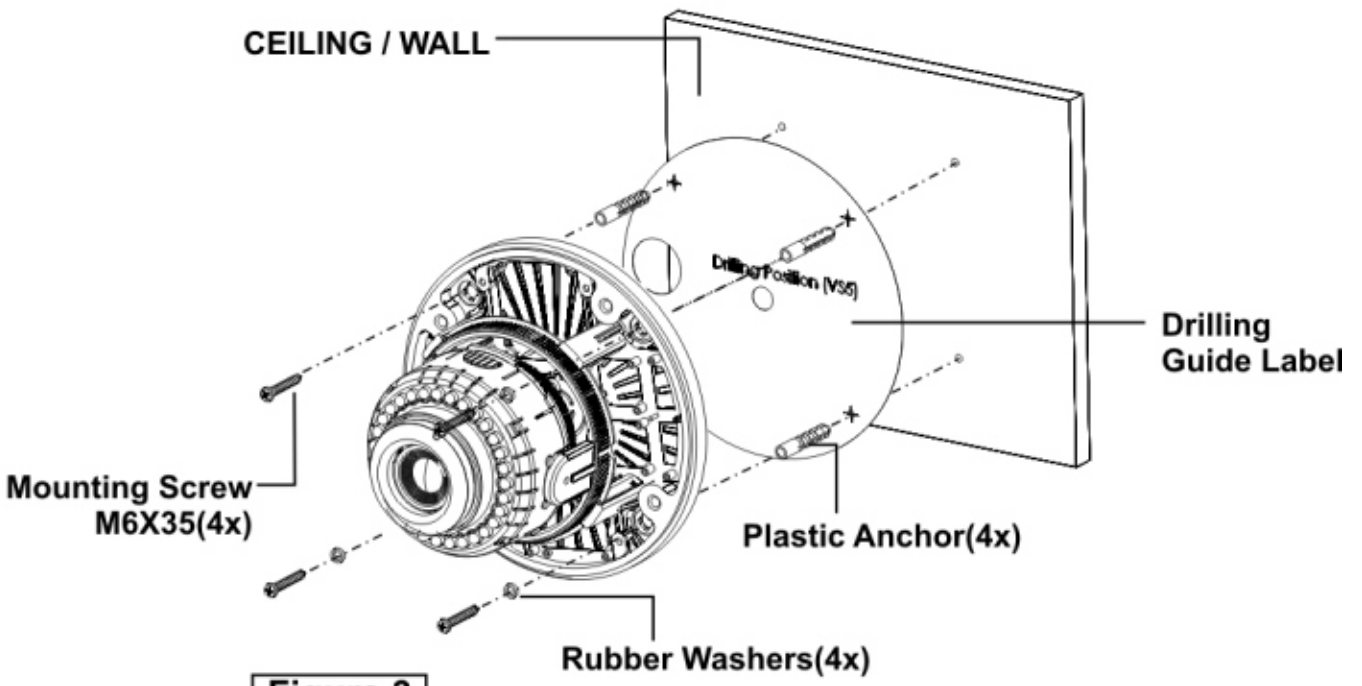
**Figure 2**

**Seal around the housing base  
tightly using silicon rubber  
(no supplied)**



**Figure 3**

**IR camera**

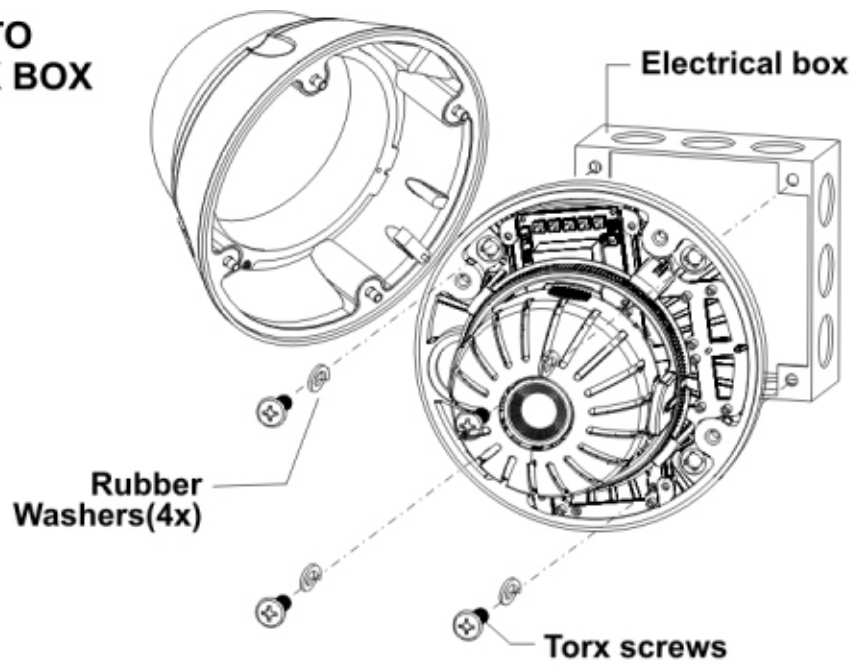


**Figure 3**



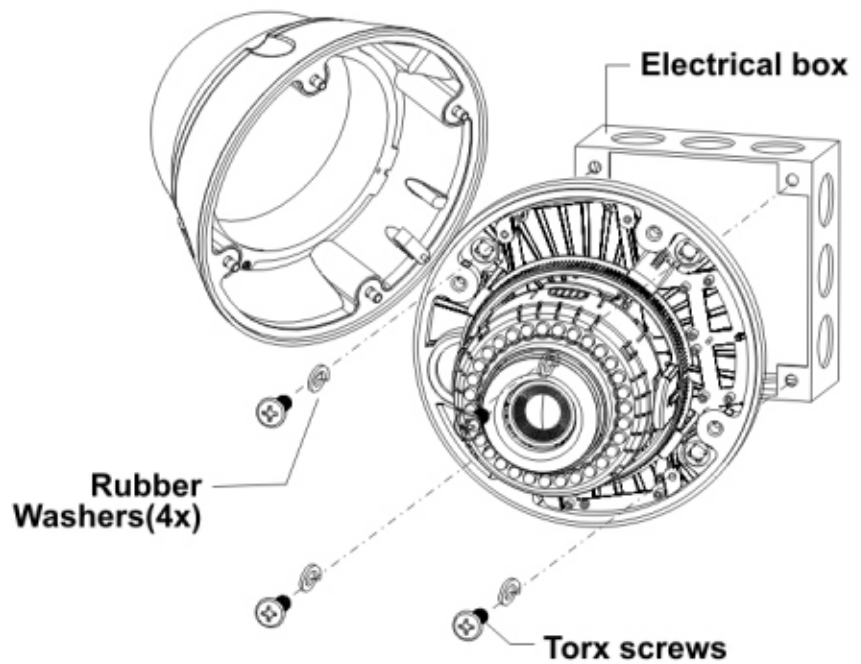
- **MOUNTING HOUSING TO AN ELECTRICAL BACK BOX**

The housing can also be mounted on a 4s electrical box.



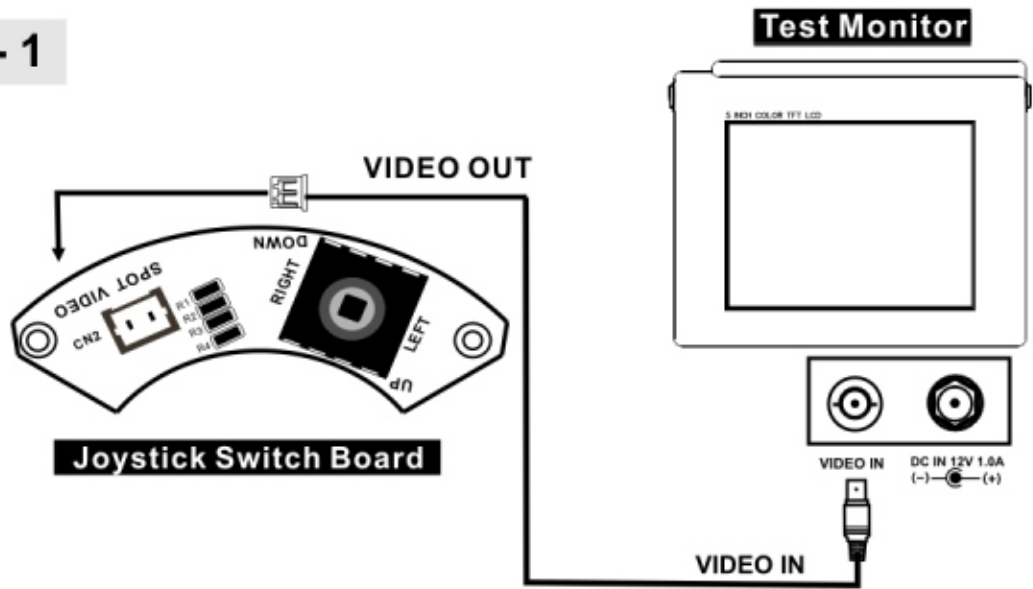
---

**IR camera**

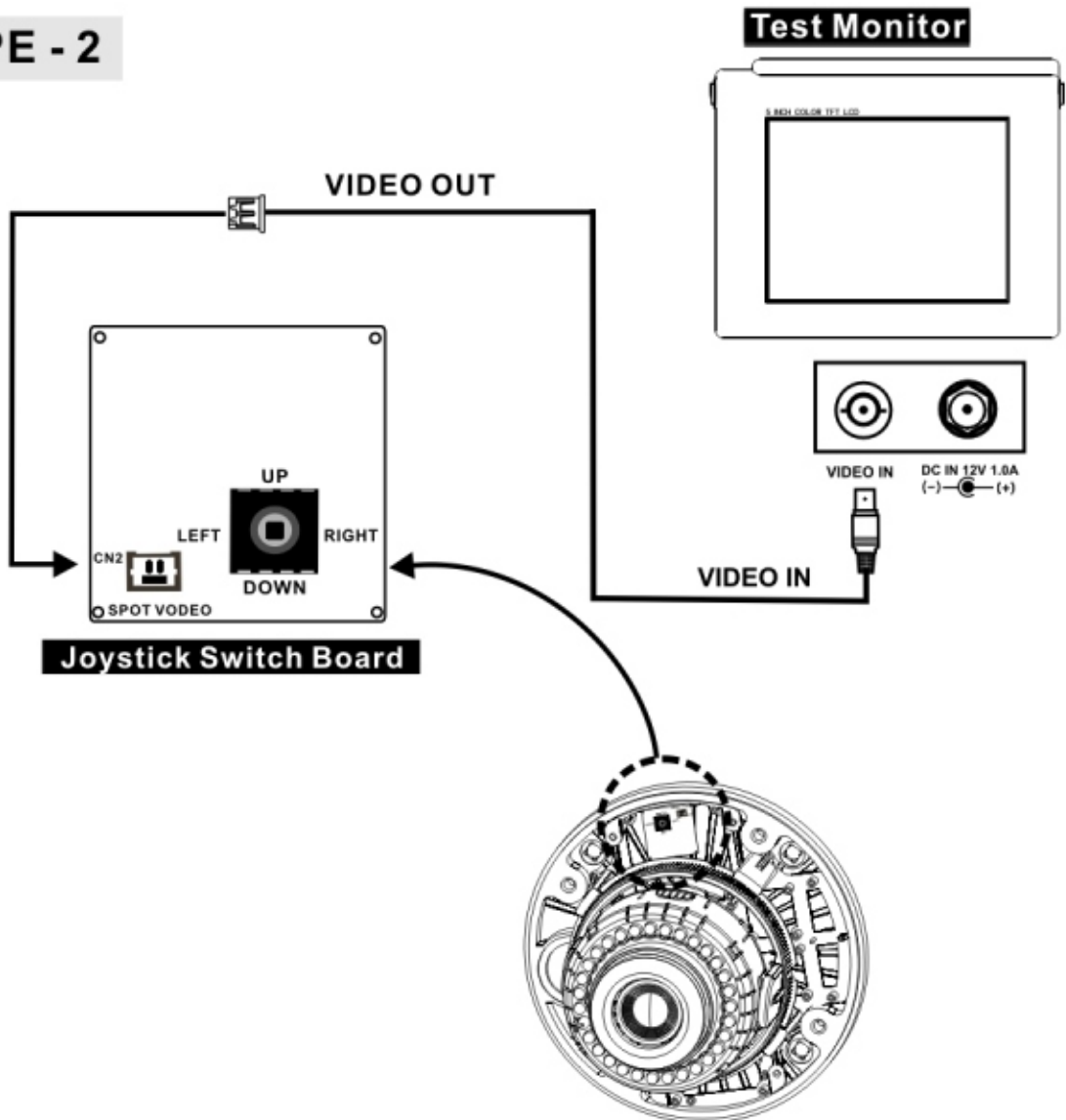


# VIDEO OUT CHECK

## TYPE - 1

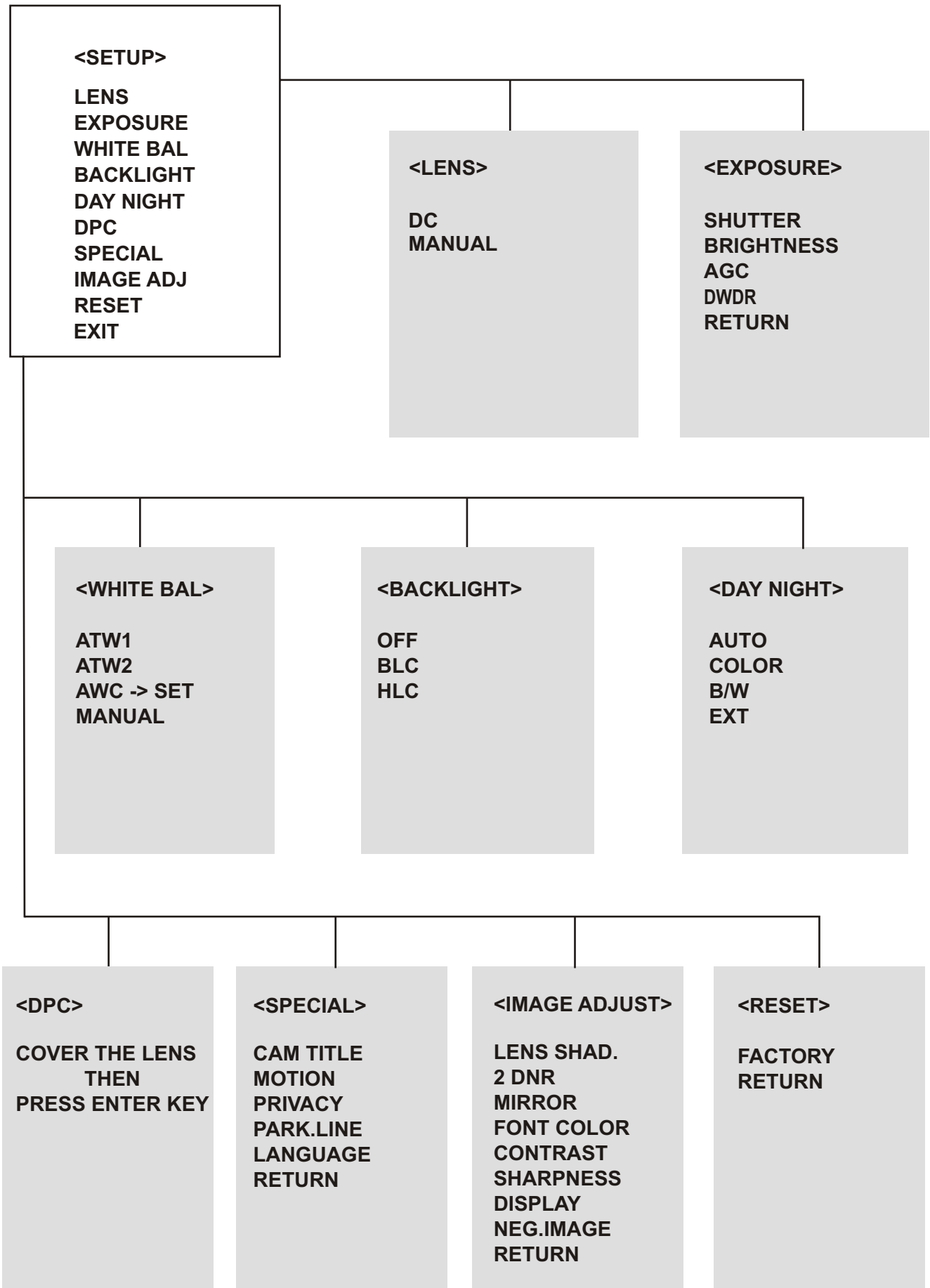


## TYPE - 2



# STRUCTURE OF THE SETUP MENU

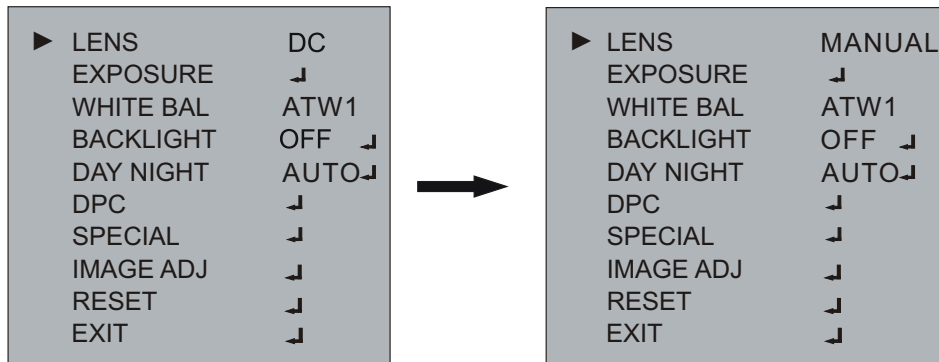
---



## LENS (Selection)

This function is used to adjust the brightness of the screen.

1. When the SETUP menu is displayed on the screen, please position the arrow to point to 'LENS' by using the UP and DOWN buttons.
2. Please select the type of the lens you wish to use by pressing the LEFT or RIGHT button.

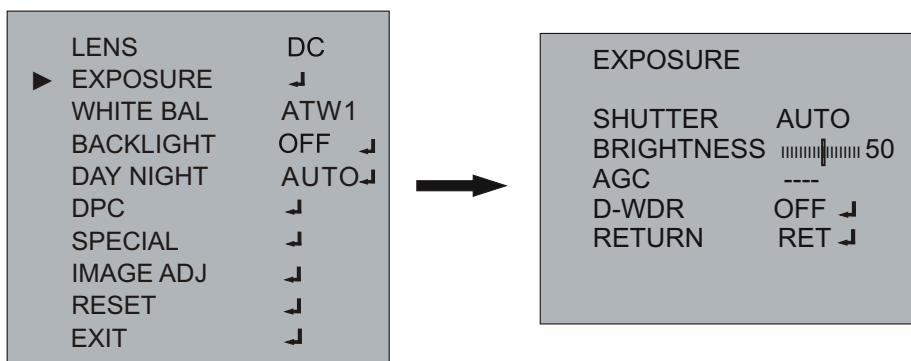


**Note** The brightness of the screen can be adjusted in DC mode.

## EXPOSURE

The EXPOSURE menu is used to set the automatic light control method for this camera.

- 1) **SHUTTER** Select the shutter mode.(Auto,1/60(50), FLK~ 1/100,000 sec)  
Can be changed while in shutter mode.
- 2) **BRIGHTNESS** Adjust BRIGHTNESS level (0 ~ 255)  
Can be adjusted while in DC/ manual lens mode.
- 3) **AGC** Auto gain control (OFF / LOW / MIDDLE / HIGH)
- 4) **DWDR** Digital Wide dynamic range(Xtended Dynamic Range)  
OFF / ON

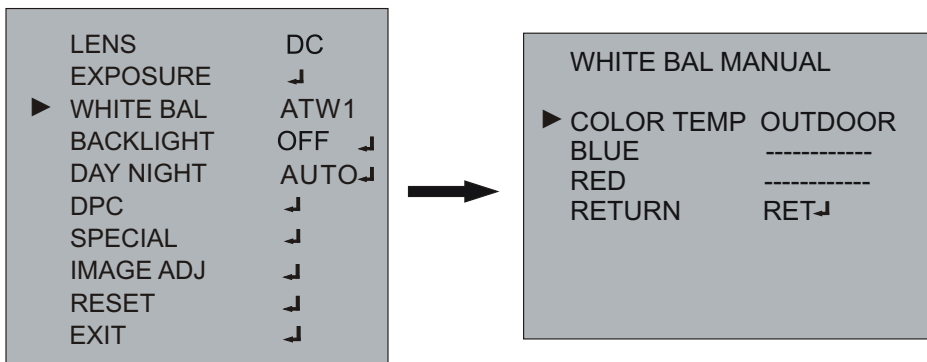


## WHITE BAL

The screen color can be adjusted by using the WHITE BALANCE function.

- 1) **ATW1** Set the color temperature 2500°K 10000°K
- 2) **ATW2** Set the color temperature 2000°K 13000°K
- 3) **AWC -> SET** Please press the ENTER button while the camera is directed at a piece of white paper to obtain the optimum state under current illumination. if the environment including the light source is changed, you have to adjust the white balance again.
- 4) **MANUAL** Manual mode. User can change R and B Gain manually.
  - INDOOR Set the color temperature to 3200°K
  - OUTDOOR Set the color temperature to 6300°K

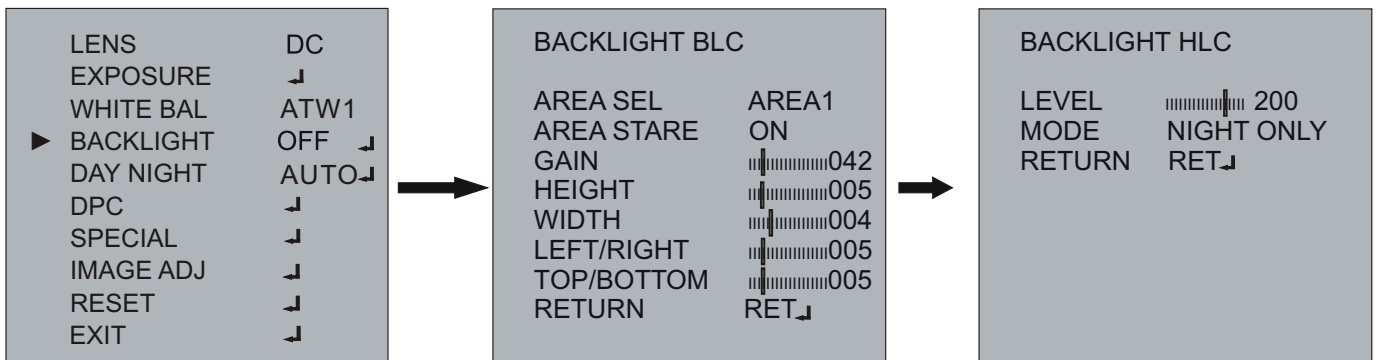
### <WHITE BAL MANUAL MODE>



## BACKLIGHT

- 1) **BLC** Prevents such a back light effect to secure a clear image under all illumination environments. Select Area 1 or Area 2 that can be adjustable.
- 2) **HLC** The HLC function improves the identification capability of subjects facing a brightly lit situation by filtering out the strength of the light.

### <BACKLIGHT MODE>

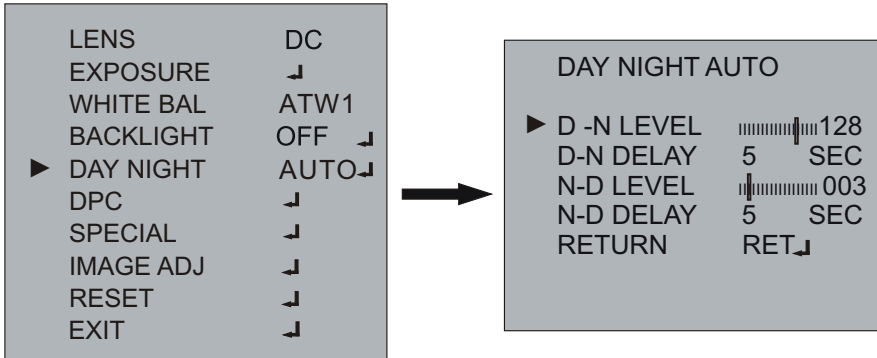


## DAY NIGHT

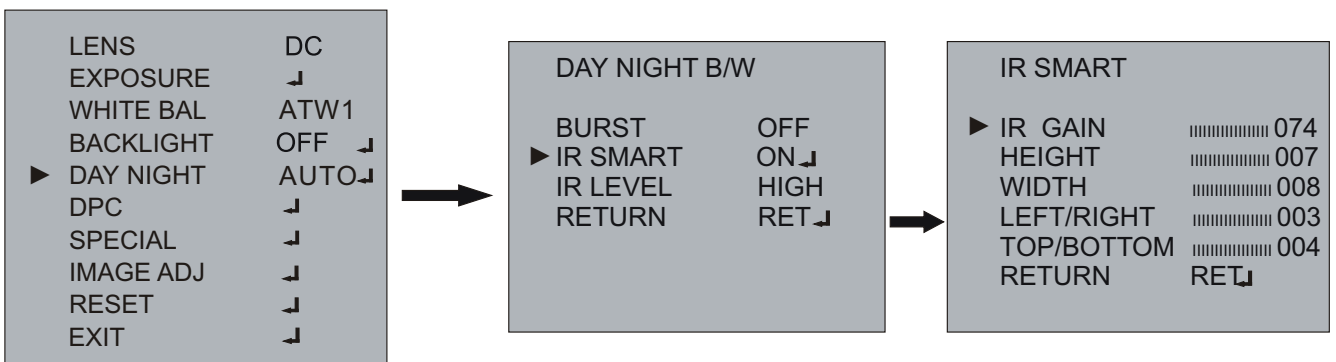
The DAY/NIGHT menu is used to configure the day and night related setting for this camera. This camera can turn the IR(infrared)filter on or off.

Mode : AUTO / COLOR / B/W / EXT (The EXT is not operating in this mode)

### <DAY NIGHT AUTO MODE>



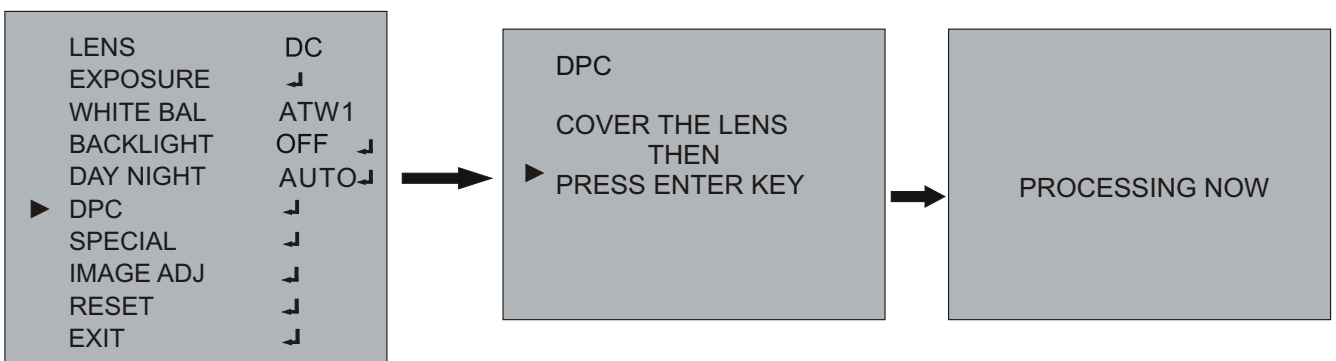
### <DAY NIGHT B/W MODE>



\*The IR LEVEL is not operating in DAY NIGHT B/W mode.

## DPC

DPC Auto setting (Dead pixels are automatically removed)



# SPECIAL

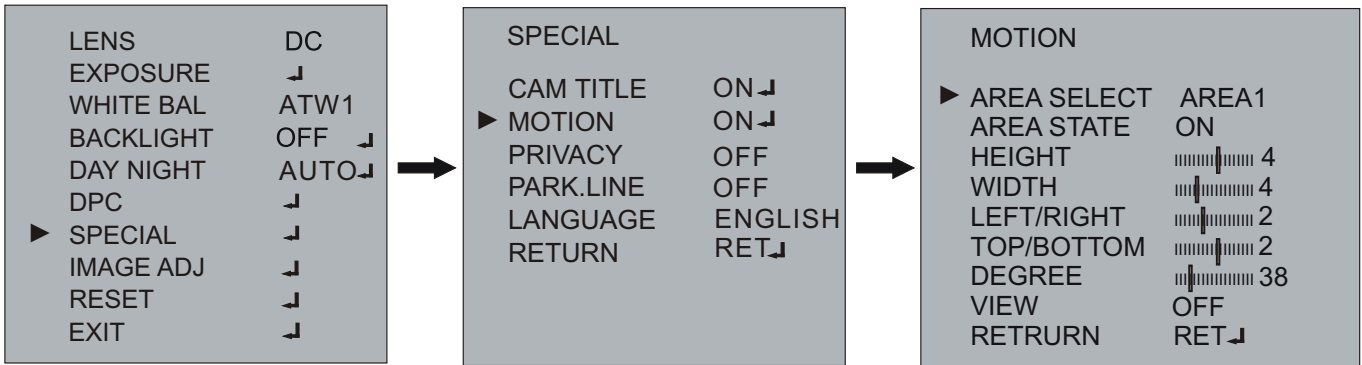
## 1) CAM TITLE

**A** ——— **CAM TITLE**  
 0123456789  
 ABCDEFGHIJK  
 LMNOPQRSTUW  
**B** ——— WXYZ ▶→←↑↓()  
 ^\_■/= & : ~ , . ↓  
**C** ——— ↔ CLR POS END

- A.** CAM TITLE
- B.** Character Table
- C.** Command Line
  - ← : Move to left
  - : Move to right
  - CLR : Erase all characters
  - POS : Move the position of title
  - END : Save and End

## 2) MOTION

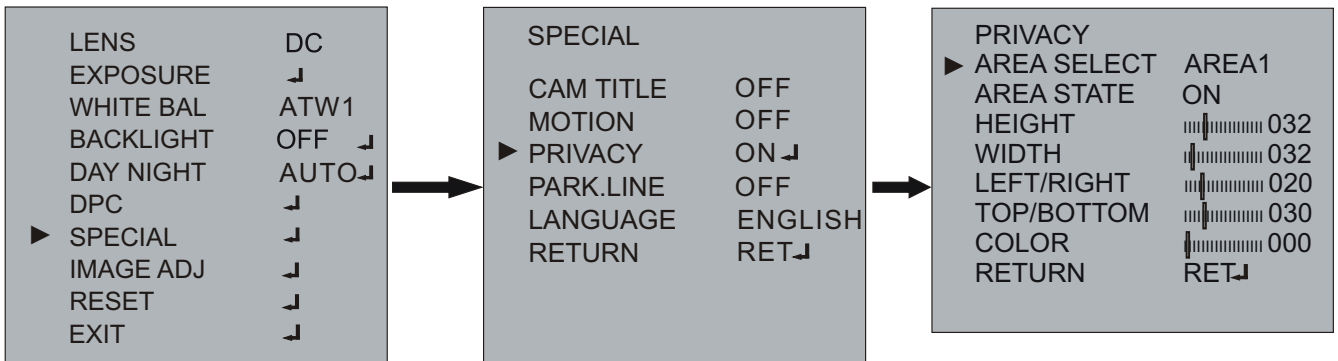
- AREA SELECT** Select MD area number. (AREA1 ~AREA4)
- AREA STATE** Select MD ON/OFF
- HEIGHT** Adjust height of MD area
- WIDTH** Adjust width of MD area
- LEFT/RIGHT** Adjust the location of the MD area with boundary LEFT and RIGHT.
- TOP/BOTTOM** Adjust the location of the MD area with boundary TOP and BOTTOM
- DEGREE** Adjust sensitivity of MD area.(0~255)
- VIEW** When set to "on", the screen displays with pink dots.  
 When a motion is detected in the selected area, the pink dots are displayed on the screen.



### 3) PRIVACY

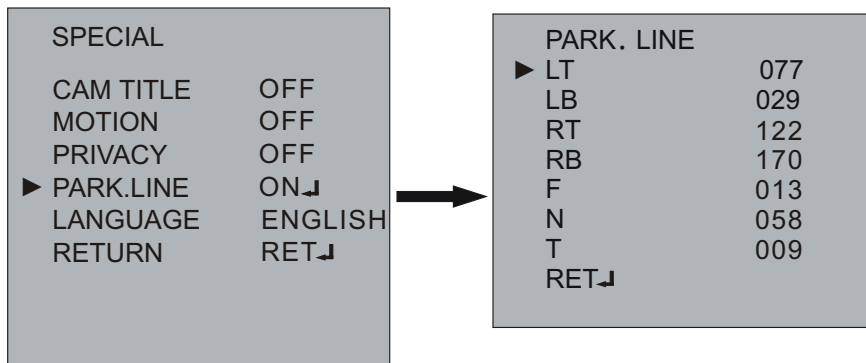
- AREA SELECT** Select MASK area number.(Area 1 ~ Area 8)
- AREA STATE** Select MASK ON/OFF
- HEIGHT** Adjust height of MASK area
- WIDTH** Adjust width of MASK area
- LEFT/RIGHT** Adjust the location of the MASK area with boundary LEFT and RIGHT
- TOP/BOTTOM** Adjust the location of the MASK area with boundary TOP and BOTTOM.
- COLOR** Select MASK color. (0~15)
- RETURN**

#### <PRIVACY MODE>



### 4) PARK.LINE

Select Parking area



### 5) LANGUAGE

ENGLISH or CHINESE

### 6) RETURN

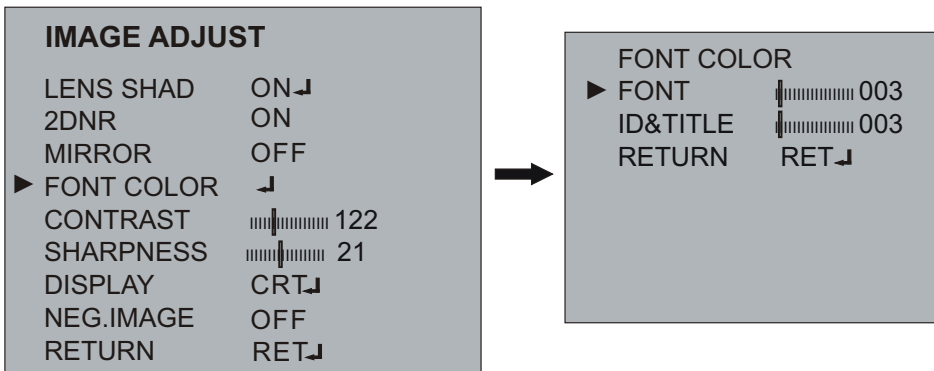
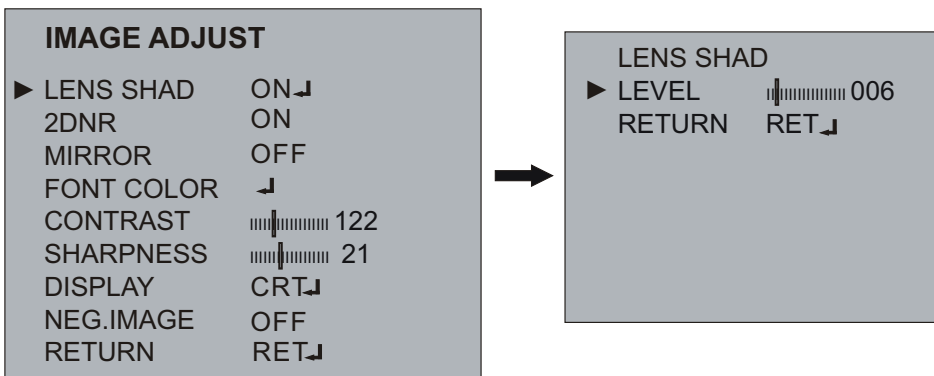
RET



## IMAGE ADJUST

- |               |   |
|---------------|---|
| 1) LENS SHAD  | Adjust Lens shading level (0~255)                               |
| 2) 2DNR       | Select 2DNR ON/OFF  |
| 3) MIRROR     | Select MIRROR ON/OFF  |
| 4) FONT COLOR | Select FONT COLOR level (0~15)<br>Select IDR TITLE level (0~15) |
| 5) CONTRAST   | Adjust CONTRAST level (0~255)                                   |
| 6) SHARPNESS  | Adjust SHARPNESS level (0~31)                                   |
| 7) DISPLAY    | Select DISPLAY mode (CRT /LCD/USER)                             |
| 8) NEG. IMAGE | Select Negative image mode ON /OFF                              |

### <IMAGE ADJUST MODE>



**IMAGE ADJUST**

LENS SHAD ON↵  
 2DNR ON  
 MIRROR OFF  
 FONT COLOR ↵  
 CONTRAST ██████████ 122  
 SHARPNESS ██████████ 21  
 ► DISPLAY CRT↵  
 NEG.IMAGE OFF  
 RETURN RET↵



**CRT ADJUST**

► PED LEVEL ██████████ 022  
 COLOR GAIN ██████████ 192  
 RETURN RET↵

**LCD AJUST**

► GAMMA 0.50  
 PED LEVEL ██████████ 028  
 COLOR GAIN ██████████ 160  
 RETURN RET↵

**USER AJUST**

► GAMMA 0.45  
 PED LEVEL ██████████ 028  
 COLOR GAIN ██████████ 160  
 RETURN RET↵

**RESET**

1) **FACTORY**

Returns to the level which was set by the manufacturer for shipment.

**EXIT**

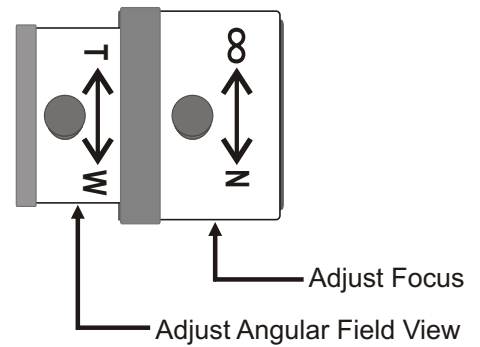
1) **EXIT**

Saves all the setting menus and then exits.

# LENS ADJUSTMENT (OPTIONAL VARIFOCAL LENS)

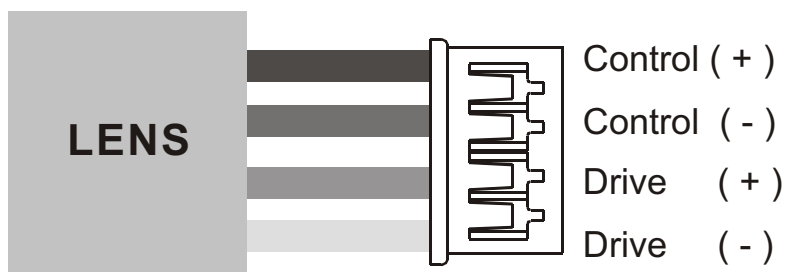
**Field of view:** Adjust setting from Tele (T) to Wide (W) field of View.

**Focus:** Adjust lens focus from near (N) to infinity ( $\infty$ ).



# DC AUTO IRIS LENS

	2.8-12mm
<b>Image Size</b>	1/3" CCD
<b>Focal Length</b>	2.8-12mm $\pm 5\%$
<b>Aperture Ratio</b>	1 : 1.2 $\pm 5\%$
<b>Angular Field of View</b>	DIAGONAL 2.8mm : 119.9° 12mm : 28.80°



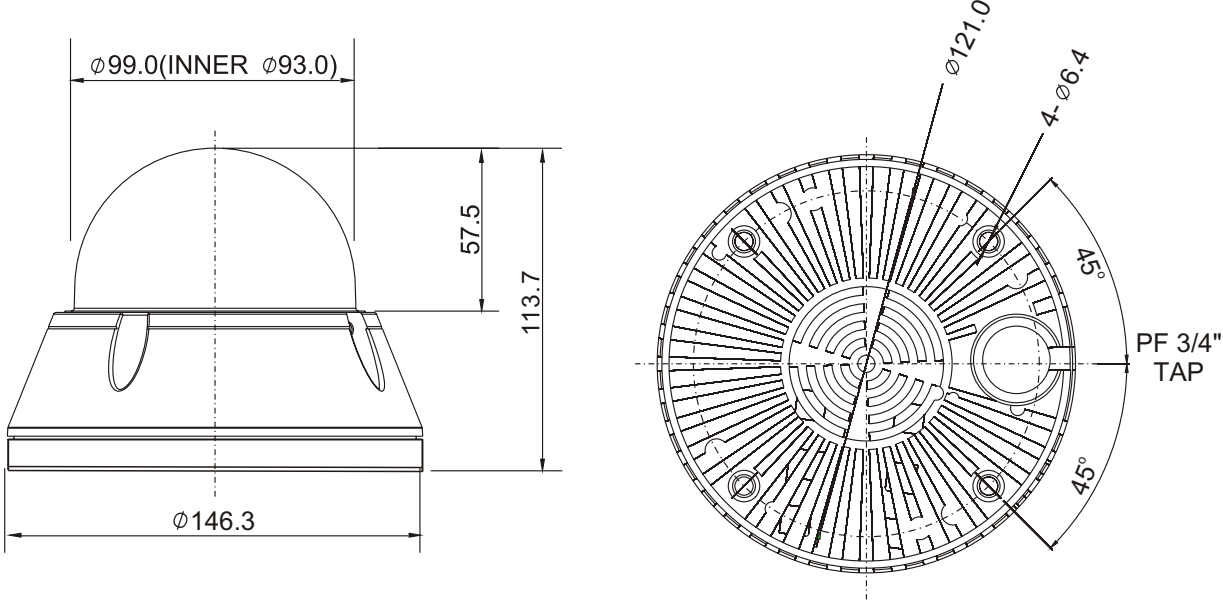
# SPECIFICATIONS

MODEL		NTSC	PAL	DC12V
Power	Power source	AC24V ± 10%		DC12V ± 10%
	Power consumption	200mA (2.5 Watts)		150mA (2.0 Watts)
General	Image sensor	1/3" Sony Super HAD II		
	Total pixels	811(H) x 507(V)	795(H) x 595(V)	←
	Scanning system	2:1 interlace		
	Scanning frequency	15.734KHz(H) x 59.94Hz(V)	15.625KHz(H) x 50Hz(V)	←
	Sync. system	Internal		
	Electronic Shutter	1/60 ~ 1/100,000 sec.	1/50 ~ 1/100,000 sec.	←
	Resolution	600 TV lines (COLOR)		
	Min. illumination	0.1 Lux(Color), 0.04 Lux(B/W) @ F1.2, 50IRE		
	Video Output	1.0 Vp-p (75 ohm, Composite)		
	S/N Ratio	More than 50dB (AGC off)		
	Camera Control	OSD (Joystick Switch)		
FUNCTION	Lens	MANUAL / DC		
	Shutter	AUTO, 1/60(1/50), Flickless, 1/250 ~ 1/100,000sec		
	Brightness	0 ~255		
	Backlight	OFF / BLC / HLC(High Light Compensation)		
	AGC	OFF / LOW / MIDDLE / HIGH		
	DWDR	OFF/ON		
	White Balance	ATW1 / ATW2 / AWC->SET / MANUAL		
	Day & Night	AUTO / COLOR / B&W / EXT		
	D&N B/W	Burst	OFF / ON	
		IR Smart	OFF / ON	
		IR Smart Gain	0~255	
	SPECIAL	Camera Title	OFF / ON	
		Motion Detection	OFF / ON (4 area)	
		Privacy Masking	OFF / ON (8 position)	
		Parking Line	OFF / ON	
		Lens Shading	OFF / ON(0~255)	
		2DNR	OFF / ON	
		Mirror	OFF / ON	
		Font Color	FONT 16 COLOR, ID&TITLE 16 COLOR	
		Contrast	0~255	
		Sharpness	0~31	
		Display	CRT / LCD / USER	
		Nega Image	OFF / ON	
		Language	ENGLISH / CHINESE	
	DPC	Dead Pixel Cancellation (Auto 64 Points)		
	Reset	FACTORY RESET / RETURN		
Connector & etc.	Power input	2-pin Terminal Block	DC Jack	
	Video output	BNC connector		
	Lens Mount	Fixed mount		
	Lens	f=2.8~12mm F1.2~360 Varifocal, ICR (D&N)		
	Operating temperature	14°F ~ 122°F (-10°C ~ +50°C)		
	Operating humidity	0 ~ 96% (non-condensing)		
	External Dimension	146(φ) x 113(H) mm		
	Weight	700g		

# SPECIFICATIONS - IR CAMERA ONLY

MODEL		NTSC	PAL	
Power	Power source	AC24V ± 10% / DC12V ± 10%		
	Power consumption	410mA (5 Watts) - IR LED ON		
General	Image sensor	1/3" Sony Super HAD II		
	Total pixels	811(H) x 507(V)	795(H) x 595(V)	
	Scanning system	2:1 interlace		
	Scanning frequency	15.734KHz(H) x 59.94Hz(V)	15.625KHz(H) x 50Hz(V)	
	Sync. system	Internal		
	Electronic Shutter	1/60 ~ 1/100,000 sec.	1/50 ~ 1/100,000 sec.	
	Resolution	600 TV lines (COLOR)		
	Min. illumination	0.1 Lux(Color), 0 Lux(B/W, IR LED ON) @ F1.2, 50IRE		
	IR LED / Sensor	IR LED 30EA(850nm / 40 degree) , Sensor 1EA		
	LED Lighting Distance	30m		
	Video Output	1.0 Vp-p (75 ohm, Composite)		
	S/N Ratio	More than 50dB (AGC off)		
	Camera Control	OSD (Joystick Switch)		
	FUNCTION	Lens	MANUAL / DC	
Shutter		AUTO, 1/60(1/50), Flickerless, 1/250 ~ 1/100,000sec		
Brightness		0 ~255		
Backlight		OFF / BLC / HLC(High Light Compensation)		
AGC		OFF / LOW / MIDDLE / HIGH		
DWDR		OFF/ON		
White Balance		ATW1 / ATW2 / AWC->SET / MANUAL		
Day & Night		AUTO / COLOR / B&W / EXT		
D&N B/W		Burst	OFF / ON	
		IR Smart	OFF / ON	
		IR Smart Gain	0~255	
SPECIAL		Camera Title	OFF / ON	
		Motion Detection	OFF / ON (4 area)	
		Privacy Masking	OFF / ON (8 position)	
		Parking Line	OFF / ON	
		Lens Shading	OFF / ON(0~255)	
		2DNR	OFF / ON	
		Mirror	OFF / ON	
		Font Color	FONT 16 COLOR, ID&TITLE 16 COLOR	
		Contrast	0~255	
		Sharpness	0~31	
		Display	CRT / LCD / USER	
		Nega Image	OFF / ON	
Language		ENGLISH / CHINESE		
DPC		Dead Pixel Cancellation (Auto 64 Points)		
Reset		FACTORY RESET / RETURN		
Connector & etc.		Power input	2-pin Terminal Block	
	Video output	BNC connector		
	Lens Mount	Fixed mount		
	Lens	f=2.8~12mm F1.2~360 Varifocal, ICR (D&N)		
	Operating temperature	14°F ~ 122°F (-10°C ~ +50° C)		
	Operating humidity	0 ~ 96% (non-condensing)		
	External Dimension	146(φ) x 113(H) mm		
Weight	700g			

# EXTERNAL DIMENSION

Dimensions	
	
Unit: mm	
<b>Window Size</b>	0.1 in. (2.5mm thick), impact-resistant P.C (LEXAN) 3.93 in. (10cm) diameter
<b>Cable Entry</b>	One 1" opening holes
<b>Weight - Unit: Shipping:</b>	1.54 lb. (0.7kg) 2.11 lb. (0.96 kg)