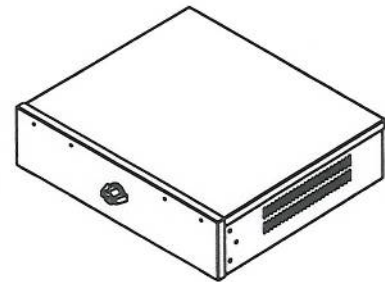
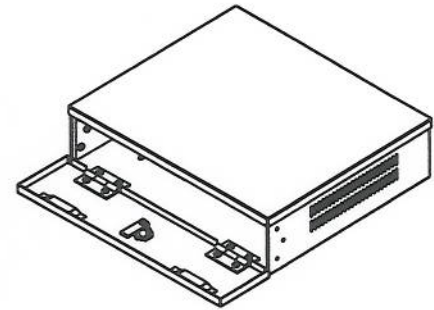
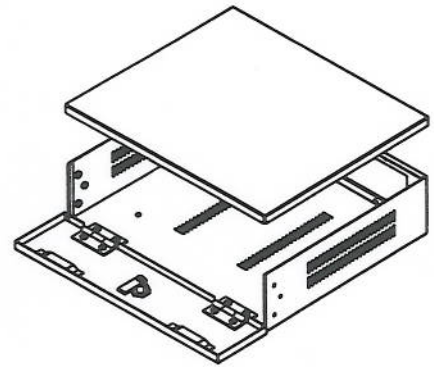


DVR LOCK BOX

This lock box is designed to hold a DVR.
Unlock the door with the supplied key.
The case lid is removable,
making it easy to install a DVR in the lock box.

SPECIFICATIONS

Material :	EGI(Electrolytic Galvanized Iron)	
Finish :	Double spray coating	
Weight :	Unit 5.5lb(2.5kg)	Shipping 7.7lb(3.5kg)
Item included(Quantity):	Rubber foot set(4) Lock key(2)	



DIMENSION

