

INSTRUCTION MANUAL

PARAPET MOUNT & ROOF MOUNT



Please thoroughly familiarize yourself with the information in this manual prior to installation and operation.

1. GENERAL

IMPORTANT SAFEGUARDS

Prior to install and use of this product, the following WARNINGS should be observed.

1. Installation and servicing should only be done by qualified service personnel and conform to all local codes.
2. Unless the unit is specifically marked as a IPXX, it is designed for indoor use only and it must not be installed where exposed to rain and moisture.
3. After replacement/repair of this unit's electrical components, conduct a resistance measurement between line and exposed parts to verify the exposed parts have not been connected to line circuitry
4. The installation method and materials should be capable of supporting four times the weight of the housing and dome camera combination.
5. Use stainless steel hardware to fasten the mount to outdoor surfaces.

2. DESCRIPTION

This unit is a middle-duty unit designed for Dome Camera System from the inside surface of a roof parapet or similar structure and onto roof. The mount has a maximum load rating of 20 pounds(9kg). The mount allows the mounted equipment to be swiveled in toward the roof to provide access for convenient rooftop servicing or adjustment.

3. INSTALLATION

Before Beginning

The hardware to install the mount depends on your installation requirements. The mount has pre-drilled holes for use with 3/8-16(M10) type hardware. (This hardware is not included). Use as many of the mounting holes as possible. We recommends 3/8-16(M10) type fastening hardware. Multiple fastening positions facilitate mounting flexibility. For models Roof & Parapet, mount using a minimum of five fasteners on each side of the mounting plate. If necessary to prevent damage from water leakage, you should also have sealant(not supplied) to apply around the bolt holes between the mount and mounting surface.

Be sure that the mount is installed in a location that can support the load.

All mounting hardware must have minimum pullout strength of 600 lb (272kg) per bolt. When mounting to wood, use screws long enough to penetrate at least 2.5inches (6.4cm). If mounting to a steel structure, drill holes according to the mounting pattern.

In masonry or concrete, use lead anchors or expansion bolts installed according to the manufacturer's instruction. Run all necessary cabling to the location selected for the installation. Cables are routed up through the mount to the dome system.

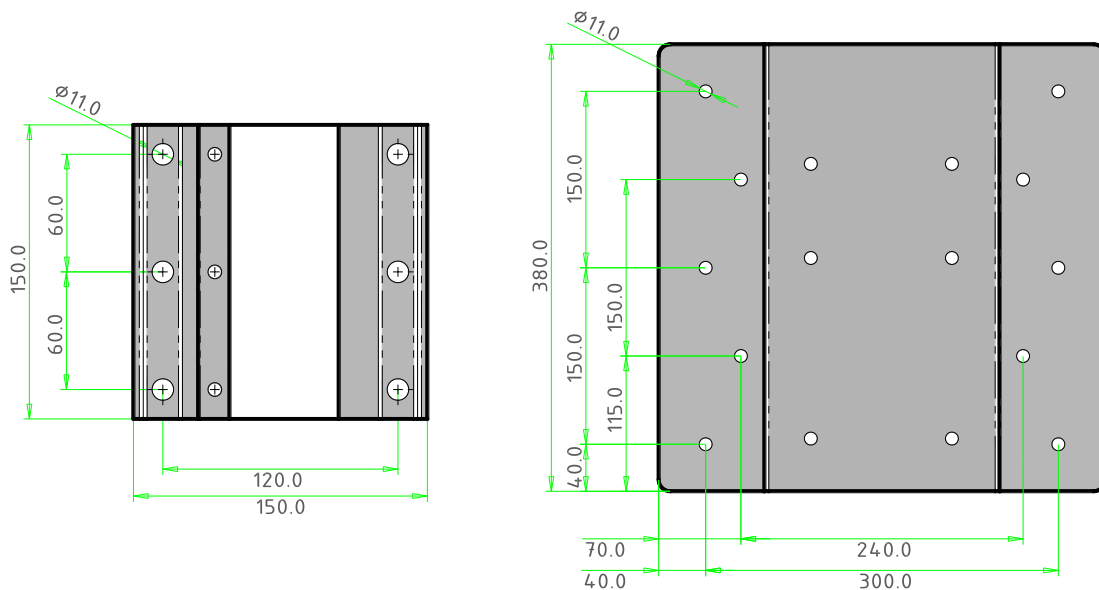


Figure 1. Mount hole size

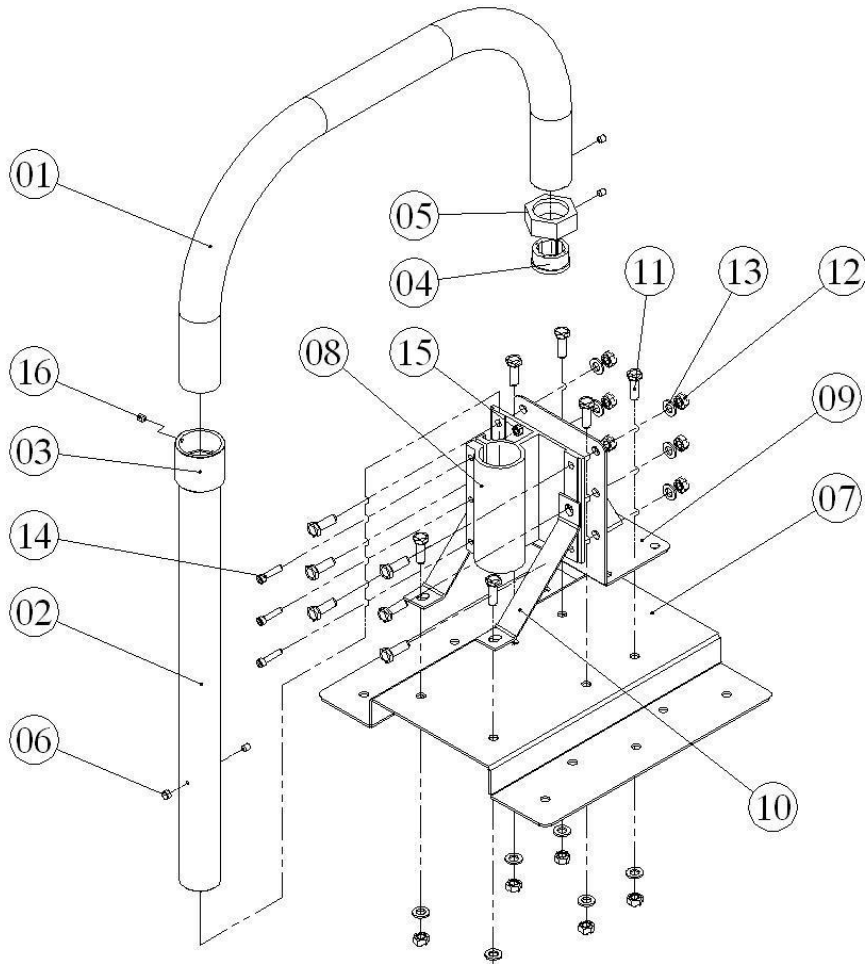


Figure 2. Exploded Assembly Diagram

MOUNTING KIT COMPONENTS

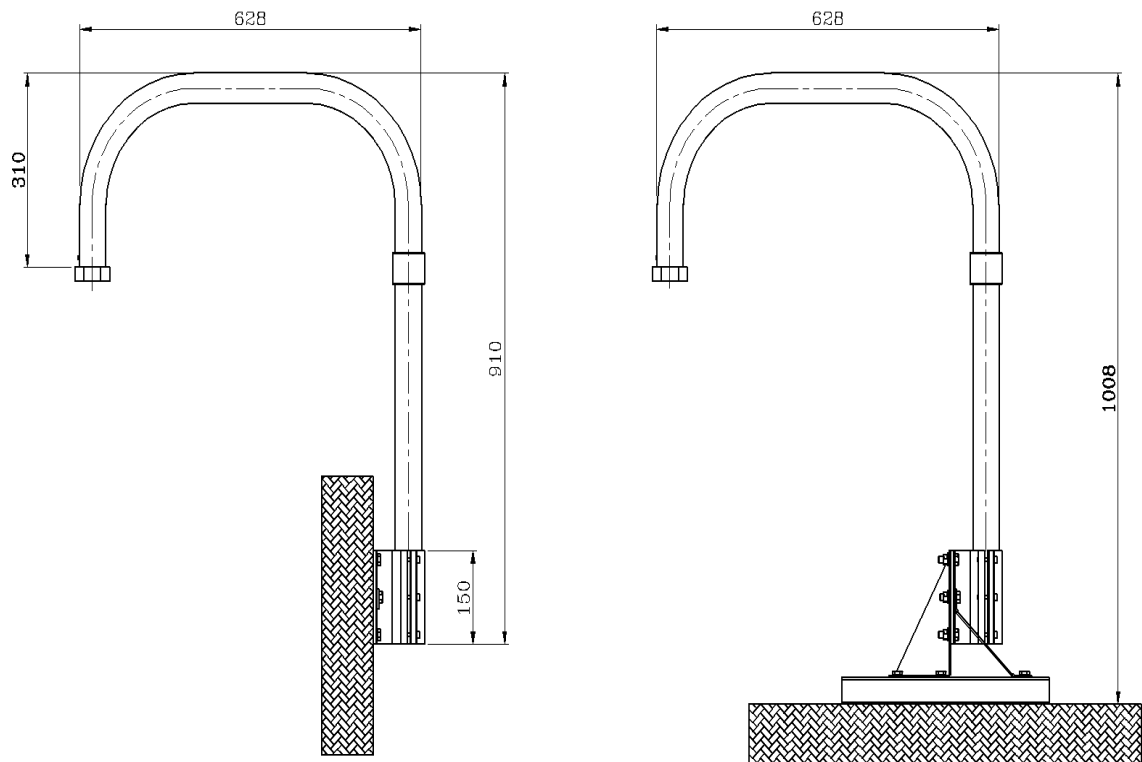
NO	QTY.	PART NAME	MATERIAL
1	1	Pipe40u-type	Al
2	1	Pipe40-len60-st	Al
3	1	Socket(1-12)	Steel
4	1	Locking_Net	AL
5	1	Locking_Socket	AL
6	2	Pan head screw - M4 x 8	SUS
7	1	Base_plate	Steel
8	1	Pipe-fastener	Al
9	1	Bracket_angle	Steel
10	2	Support-angle	Steel
11	12	Hexagon head bolt M10 x 30	SUS
12	12	Hexagon nut M10	SUS
13	12	Spring washer M10	SUS
14	3	Wrench head bolt M6 x 30	SUS
15	3	Hexagon nut M6	SUS
16	3	Set screw M5 x 6	SUS
17	1	HEX LENCH 2.5mm	Steel
18	1	HEX LENCH 5mm	Steel
19	1	Tefron seal tape	SUS

Note: You should wind nipple with tefron tape for sealing before connecting outdoor housing.

4. SPECIFICATIONS

MECHANICAL	
Maximum Load	20pounds (9kg)
Construction :	Aluminum, Steel & Stainless hardware
Finish :	Light-gray polyester powder coat
Dimensions :	See Figure 3
Unit Weight :	Roof Mount: 10.2kg
Shipping Weight :	Roof Mount: 11.5kg
Shipping Dimension :	24.8x15.4x4.6 in (650x392x118)
Shipping Volume	1.0ft ³ (0.03m ³)

- Weight and dimension are approximate
- Specifications are subject to change without notice.



(Unit : mm)

Figure 3. Dimension Drawing