

Compact 10X Pan, Tilt, Zoom Impact Resistant Dome Camera



(shown with optional
VDMWC mount)

**PTZ Vandal Resistant
Color Dome Camera**

4-ch and 1-ch Dome Interface

Features

- Extremely compact 3.9" lower dome design
- Pan rotation 359° and tilt angle of 90°
- Optical 10X and Digital 10X zoom for a total range of 100X (3.15mm~31.5mm)
- Tough vandal resistant housing for high risk areas
- Standard flush-mount configuration
- Mounts to standard electrical 4x4 junction box
- Incorporate up to 16 domes in a single system
- 16 preset positions with DVR recall
- Programmable guard tour linking selected presets (n/a on SDR401E or SDR410 series DVRs)
- Activate any of the 16 presets from external alarm inputs at the DVR.
- 1 alarm input at the dome – programmable for momentary or timeout
- Programmable Home position
- Single cable connection (modular)
- Small 5-3/4" footprint
- Pendant and wall mount options available
- IP66 rated weatherproof die-cast aluminum housing
- Built-in RS485 Telemetry Receiver/Driver

Ordering Guide

SCN#	Item
A-CC10PTZK	PTZ Dome, 10X optical, 10X digital, 1-ch dome interface, 60' cable
TX1B	Dome Interface, transmitter, 1-channel (included with dome)
TX4B	Dome Interface, transmitter, 4-channel
VDMWC	Mount, pendant, wall, ceiling

Description

The Compact 100X Pan, Tilt, Zoom (PTZ) Dome camera is intended for use with all ADT branded Digital Video Recorders except the A-SDR401 Series. This PTZ camera features a modular connection for power, video and RS485 control data interface. With the TX series dome interface, the Compact Dome is controlled from the DVR, so there is no need for a separate controller.

The dome features a powerful 10X optical lens and 10X digital zoom for a total of 100X zoom capability. The 10X optical zoom allows for focal length adjustment from a wide angle 3.15mm or 48° field of view to a narrow 31.5mm or 6.5° field of view. The Pan angle is from 0° to 359° and the Tilt angle range is 0° to -90°.

Up to sixteen domes may be connected in a single system. The total number of domes cannot exceed the number of camera positions on the DVR. Custom preset or pre-shot programming allows up to sixteen (16) preset locations to be defined and one (1) guard tour linked to selected presets can be created (not applicable on A-SDR401 or A-SDR410 series DVRs). The presets and tour can be enabled by an external alarm input or by manual initiation. A programmable Home position guarantees the dome starts at the correct location when requested.

The Dome Interface box permits connection from the DVR to the Compact Dome using standard easy to install RJ-11 cable. The 1-channel Dome Interface is included with each dome. An optional 4-channel Dome Interface is available. Each dome is supplied with a 60-ft length of modular cable, a 3-ft RG59U BNC cable and a 3-ft section of 18-2 AWG. The maximum operating distance using modular cable is 300ft (90m). Additional modular cable lengths may be ordered in increments of 60' (A-A18C), 100' (A-A30C), 200' (A-A60C) and 300' (A-A90C).

The Compact Dome features a tough vandal resistant housing and is IP66 rated for outdoor environments. The dome is intended for ceiling flush-mount or to a standard 4 x 4 electrical junction box. An optional wall and ceiling pendent mount is available.



SPECIFICATION

Camera/Optics

Scanning System	2:1 Interlace
Scanning Frequency (H/V)	15.734 KHz / 59.94 Hz
Image sensor	1/4" Sony Super-HAD Color CCD
Effective Pixels No.	768(H) x 494(V)
Resolution	430 TV lines
Minimum Illumination	1.5 Lux
Video Output Level	1.0Vp-p 75 ohms, composite
S/N Ratio	48dB
Lens	10X Zoom (Video AF), 3.15mm ~ 31.5mm
Zoom Ratio	10X Optical, 10X Digital
Sync System	Internal
Protocol support	Fastrax 2, Pelco D
Effective View Angle	48° (Wide) to 6.5° (Tele)

Dome Control Functions

Focus Mode	Auto / Manual
Auto Exposure	Auto / Shutter priority / Iris priority / Manual
White Balance	Auto / Indoor / Outdoor / Manual
Iris Control	Auto / Manual (F1.8~F32)
Gain Control	AGC On / Off (30dB max.)
Shutter Speed	Normal~1/10,000
Back Light	On / Off
Sharpness	0 ~ 15 steps
Brightness	0 ~ 90 steps
Display	On / Off
Pan angle	0° ~ 359°
Tilt angle	0° ~ 90°
Pan Speed	120° /sec
Tilt Speed	120° /sec
Scan Speed	7° /sec
Preset	16 Positions
Guard Tour	1 guard tour consisting of up to 16 presets
Alarm	1 input NC / NO / OFF
Dome ID	63 Camera IDs

Electrical

Camera Control	RS-485 (Baud rate 9600bps.)
----------------	-----------------------------

Mechanical

Dimensions	5.70" x 4.60"
(Diameter x Height)	(145.0mm x 117.2mm)
	lower dome diameter 3.89" (99.0mm)
Weight	2.86lbs (1.3kg)
Housing	Die-cast aluminum
Lower Dome	Lexan
Outdoor IP Rating	IP66

Environmental

Environmental Condition	
Operation Temperature	14°F ~ 104°F (-10°C ~ 40°C)
Operation Humidity	0% ~ 96%
Storage Temperature	68°F- 140°F (20°C ~ 60°C)

Accessories

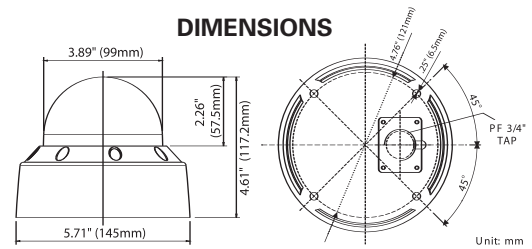
VDMWC	Wall or pendant mount kit
TX4B	4-ch Dome Interface
TX1B	1-ch Dome Interface

Dome Interface

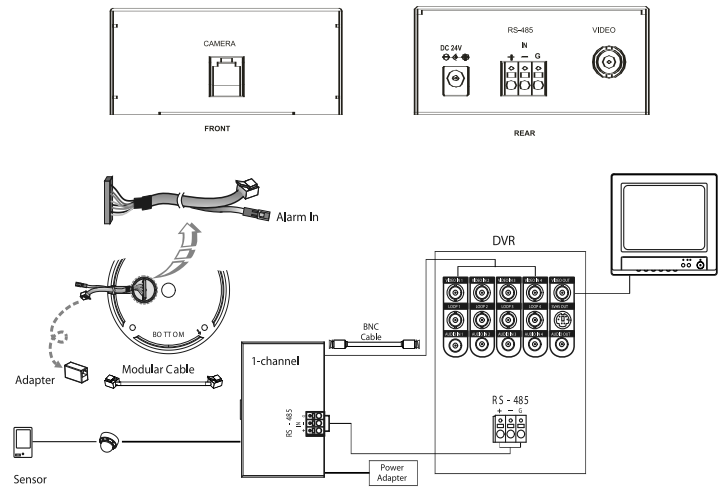
Connections	Input	TX1B
	Output	One 6-pin modular jack, RJ-11 terminal block
		One BNC for video connection
Power Supply	Power Input	DC jack
Physical Characteristics	DC 24 VDC 5.0A	
	Dimensions (WxHxD)	5.35"± x 1.77"± x 3.15"± (136mm x 45mm x 80mm)
	Net Weight	0.9 lbs (405g) (approx.)
Operating Environment	Ambient Temperature	0°C ~ 35°C (32°F ~ 95°F)
	Ambient Humidity	10% ~ 90% (non-condensing)

Specifications subject to change without notice.

DIMENSIONS

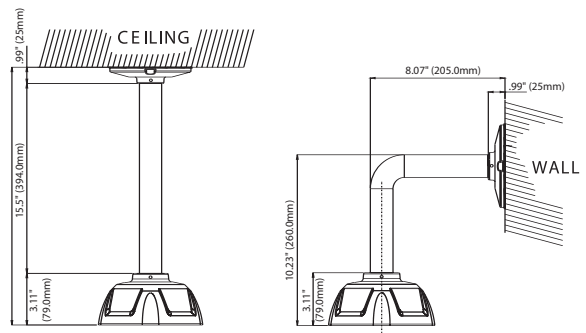


CONNECTION DIAGRAM (Using 1-ch Interface)



VDMWC Mount Kit (Optional)

Pipe Specification	1" NPT (Straight & 90° bend)
Wall / Ceiling Flange	
Dome cover housing	
Maximum Load	Approx 11 lbs (5 kg)
Weight - Unit Shipping	Approx 3.5 lbs (1.6 kg)



TX4B

Connections	Four 6-pin modular jack, RJ-11 3-push terminal block
	Four BNC for video connection 3-push terminal block
Power Supply	4 pin DIN jack for four cameras
Physical Characteristics	Dimensions (WxHxD) 5.35"± x 1.77"± x 3.15"± (136mm x 45mm x 80mm)
	Net Weight 0.9 lbs (405g) (approx.)
Operating Environment	Ambient Temperature 0°C ~ 35°C (32°F ~ 95°F)
	Ambient Humidity 10% ~ 90% (non-condensing)



ADT Always There™