

Public View 20.1" LCD Monitor with Two Integrated High Resolution Cameras



Features

- Compact attractive look for high visibility retail applications with no visible controls
- Two built-in high resolution color cameras with 4-9mm VF AI lens concealed in front bezel
- Two mode PIP (video exchange, appear/disappear)
- Two scalable PIP windows
- Two mode PBP with horizontal centering
- Wireless remote control (included)
- External 3rd camera or external video input
- High Brightness and Contrast TFT-LCD Color Monitor
- Video Motion Detection (VMD) capability (internal cameras)
- Programmable VMD schedule
- Built-in Light Sensor for sleep mode
- Four video output connectors (Internal camera loop-outs, one external loop-out, main)
- Concealed wiring with easy access cover
- Built-in 12VDC power for external camera
- Six language selections
- Case Color: Two-tone; gray front with black rear

Description

The M202 PVM series is a high brightness and contrast TFT LCD monitor with two built-in-high-resolution color CCD cameras with integrated auto iris vari-focal lens. The monitor includes programmable Video Motion Detection (VMD) capability for the internal camera and a third video input for an external camera or other video source.

The internal VMD allows the monitor view to switch to the second internal camera when motion occurs or switch to picture-by-picture (PBP) mode allowing both cameras to be viewed simultaneously. The PBP mode features digital video centering of the camera video image. The VMD sensitivity, capture time and dwell time may be individually programmed for each video input. A picture-in-picture (PIP) mode is offered allowing full-screen of the external video input with two scalable views (size and position) of the two internal cameras.

The monitor offers a clean aesthetic appearance with no visible operator controls. The monitor and camera programming is accomplished using the supplied IR Remote Control. A built-in selectable Light Sensor permits the monitor to enter a "sleep" mode when ambient lighting is lowered, thus providing extended LCD backlight life.

Four video outputs are provided; two loop-through video outputs for the internal cameras, one loop-through for the external video input and one main output.

A six-language on-screen menu is provided for ease of programming, and includes camera titling, camera and monitor contrast, brightness and sharpness settings. A motion adjust function is selectable to help discriminate image artifacts when objects are moving quickly in the camera's field of view.

The monitor contains two powerful 2.5W audio amplifiers and speakers for stereo line-level audio input.

The monitor features a 100mm VESA mount connection point for use with various LCD mounts (see accessories). Camera and power wiring is concealed within a removable rear access cover for aesthetic purposes. The two internal cameras' field of view, focus and iris may be easily adjusted by removing the two camera assemblies from the rear of the monitor. The monitor provides external 12VDC power for supplying power to a third camera.

Ordering Guide

SCN#	Item
M202GR	20.1" LCD PVM with two integrated high resolution color cameras, gray case

Specifications

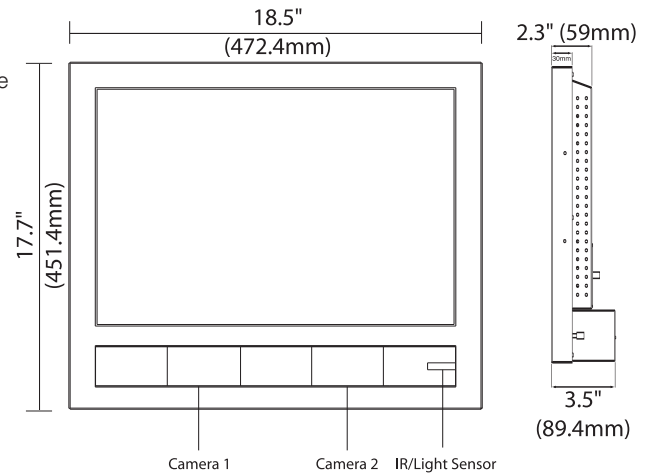
Model

M202GR 20.1" LCD Public View Monitor with two Integrated high resolution color camera, gray case

Monitor

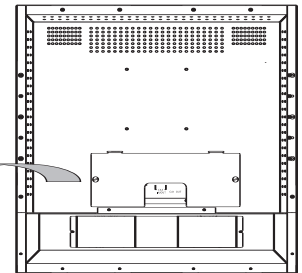
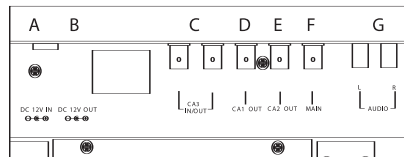
Display Source 2 Built-in Camera Video + External Video Input
 LCD Panel 20.1 inches (510.54mm) TFT LCD Panel
 Active Display Area 408.0 mm (H) x 306.0 mm (V)
 Pixel Format 640 (H) x 480 (V), RGB vertical stripe
 Pixel Pitch 0.6375mm x 0.6375mm
 Color Depths 8 Bit / 16.7M Colors
 Contrast Ratio 400 : 1 (Typical)
 Brightness 450 cd/m² (Typical)
 Viewing Angles (L/R/U/D) 85 / 85 / 85 / 85 (Typical)
 Light Source / Lifetime 6CCFL / 50,000Hrs (Minimum)
 Response Time 30 ms (Typical)

Dimensions



Video (Integrated Camera)

Video Mode NTSC
 Camera Video Input Level 1.0Vp-p @ 75 ohm
 CCD Image Sensor 1/3" Sony Super HAD CCD
 Resolution 470 TVL
 Sensitivity 1 Lux (F2.0, 50 IRE)
 S/N Ratio 50dB
 Auto Iris Yes
 Auto White Balance Yes
 Electronic Shutter 1/60 ~ 1/100,000 sec
 VF Lens 4 – 9mm



Video (External Input)

Video Input Connector BNC x 1
 Video Mode NTSC / PAL
 Video Input Level 1.0Vp-p @ 75 ohm
 Video Output Connector BNC x 4 (3-loop out, 1-main)
 Video Output Level 1.0Vp-p @ 75 ohm

Audio

Audio Input Level Line level
 Audio Input Connector RCA x 2
 Audio Amplifier 2.5 W x 2

General

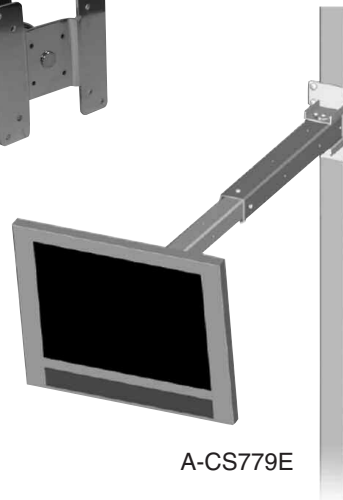
DC Output DC 12V / 500mA (for external camera)
 Power Requirement DC 12V / 4.9A
 Power Consumption 60 Watts
 Operating Temperature 32°F - 104°F (0°C ~ 40°C)
 Case Material Metal
 Dimensions (WxHxD) 18.5" x 17.7" x 3.5"
 (472.4mm x 451.4mm x 89.4mm)
 Weight 19.84 lbs (9.0 kg)
 Accessories DC Adapter, Power Cord, Manual, Remote Control
 Extension Cable for Power (option)

Specifications subject to change without notice.

Optional Mounts



A-CS777



A-CS779E



A-CSW775E (white)
 A-CSB775E (black)



A-CSW780 A-CSB780