

# Super High Resolution 560TVL D/N Camera Series



**A-CF5UW**



**A-CF52812UW**

## Product Summary

The Super High Resolution A-CF5 camera series is the newest family of performance based digital color cameras featuring the ADT brand. The A-CF5 series employs a 1/3-inch SONY Super HAD CCD for superior picture quality with 560TV Lines of resolution. This SONY based CCD camera features excellent low light sensitivity of 0.5 lux (color) and 0.01 lux (black/white) with digital Day/Night capability.

The **A-CF5UW** is a compact rugged full-body camera in white case offered without a factory installed lens. The **A-CF52812UW** is the same camera with a pre-installed and back-focused 2.8mm to 12mm varifocal auto-iris lens to cover a wide range of interior camera applications.

The camera series offers a simple Power-On LED for quick power confirmation, an easy On-Screen Display (OSD) for camera set up and programming, Digital Noise Reduction (DNR) which provides a clean video signal for digital video recording and allows more storage capacity, and Back-Light Compensation (BLC) adjustment.

Additional features include a four-point Privacy Zone which allows masking of separate zones within the camera's field of view, a selectable Sense-Up which increases the sensitivity of the camera from x2 to x32 times, Mirror Image with four possible settings, and built-in Video Motion Detection (VMD). Standard remote control is supported using common RS485 control protocols.

The camera series is compatible with video or DC style Auto-IRIS lenses, offers a quick connect 4-pin AI connector and provides either 12VDC or 24VAC operation. Standard 1/4"-20 threaded attachment points are provided on both the top or bottom case for easy installation using the optional CMD16W camera mount.

## Features

- 560TVL High Resolution CCD
- Low-Lux Operation
- On-Screen Display
- Digital Noise Reduction Function
- Digital Day/Night Operation
- 4-Point Privacy Zones Masking
- Sense Up (x2 - x32) for extreme low light image capture
- Mirror Function
- Video Motion Detection (VMD) with dedicated alarm output
- RS485 for remote operation
- 12VDC or 24VAC

## Ordering Guide

<b>SCN#</b>	<b>Item</b>
<b>A-CF5UW</b>	Camera, Full-Body, 560TVL, 12VDC/24VAC, White Case Color
<b>A-CF52812UW</b>	Camera, Full-Body, 560TVL, 2.8-12mm VF AI lens, 12VDC/24VAC, White Case Color
<b>SCV2812ASIR</b>	Lens, 2.8~12mm varifocal, DC auto-iris
<b>SCV5501DC</b>	Lens, 5~50mm varifocal, DC auto-iris
<b>CMD16W</b>	Plastic, Wall / Ceiling interior camera mount
<b>A-CH808M</b>	12.5" Environmental Housing
<b>A-CS161</b>	Wall mount for Env. Hsg. 10"



## Specifications VIDEO

Image Sensor	1/3" SONY Super HAD CCD
Total Pixels	811(H) x 508(V)
Scanning System	NTSC
Scanning Frequency	15.734KHz (H), 59.94Hz (V)
Sync. System	Internal / Line Lock
Resolution	560TVL
Minimum Illumination	0.5 lux (color), 0.01 lux (B/W) @F1.2, 50 IRE
Video Output	1.0Vp-p (75-ohm, composite)
S/N Ratio	> 50dB (AGC off)
Camera Control	RS485 (Fastrax, Pelco D, Pelco P), Tactile Switch

## FUNCTIONS

DNR	On / Off
Auto Exposure	1/60 / Flickerless / Manual (1/250, 1/500, 1/1000, 1/2000, 1/4000, 1/10000, 1/30000, 1/60000, 1/120000)
Lens	DC / Video / ELC
Back Light Compensation (BLC)	On / Off
Auto Gain Control (AGC)	Off / Low / Middle / High
Sense Up	Off / x2 / x4 / x8 / x16 / x32
White Balance (WB)	ATW / AWC / Manual
Day / Night	Auto / Day / Night
Video Motion Detection (VMD)	Off / On (Sensitivity & Alarm Time Selective)
Privacy Zone	Off / On (4 Point)
Display Title	Off / On
Video Picture	Positive / Negative
Brightness	0~60
Sharpness	0~15
Mirror	Normal / Mirror / Vertical / Rotate
Zoom	Off / On (x8) / Pan & Tilt (x2)
Sync	Internal / Auto
Camera ID	1~254
Baud Rate	2400 / 4800 / 9600 / 19200
Presets	Initial / Exit (Auto Save) / Return

## CONNECTORS / MECHANICAL

Power Input	2-pin Terminal Block
Control Input/Output	7-pin Terminal Block
Video Output	BNC
Auto Iris Output	4-pin DIN Jack
Lens Mount	C/CS Mount (selected through Back Focus)
Attachment Points	1/4" -20 UNC, (top or bottom)

## ENVIRONMENTAL

Operating Temperature	14°F ~ 122°F (-10°C ~ 50°C)
Operating Humidity	0~96% (non-condensing)

## GENERAL

Dimensions (W x H x D)	2.59(W) x 2.20(H) x 4.72(D)in 66(W) x 56(H) x 120(D)mm
Weight	0.551 lb. (250g)

## POWER

Voltage	12VDC/24VAC
Power	4.5W

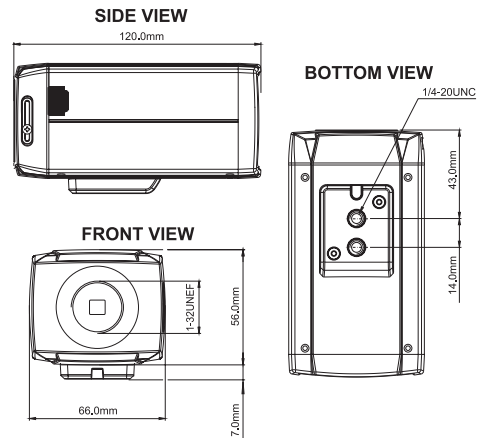
## APPROVALS

UL, FCC, CE, RoHS

Specifications are subject to change without notice.

## Recommended System Components

Part Number	Description
<b>CMD16W</b>	Mount, camera, Interior, W/C, 5.6", white
<b>A-CH808M</b>	Housing, outdoor, 12.5" w/sunshield, white
<b>A-CS161</b>	Mount for Environmental Housing, 10", white
<b>A-CM150</b>	Corner mount adapter (use with A-CS161)
<b>A-CM151</b>	Pole mount adapter (use with A-CS161)
<b>DYK4500</b>	4-ch DVR, H.264, 120-ips, audio, USB, mouse, IR
<b>A-ADT4HS</b>	4-ch DVR, H.264, 120-ips, Slim-Line, USB, mouse, IR, looping
<b>A-ADT8H</b>	8-ch DVR, H.264, 240-ips, DVDRW, USB, mouse, IR, looping
<b>A-ADT16H</b>	16-ch DVR, H.264, 480-ips, DVDRW, USB, mouse, IR, looping
<b>A-ADT400HD</b>	4-ch DVR, H.264, 120-ips, DVDRW, USB, mouse, IR, looping
<b>A-ADT800HD</b>	8-ch DVR, H.264, 240-ips, DVDRW, USB, mouse, IR, looping
<b>A-ADT1600HD</b>	16-ch DVR, H.264, 480-ips, DVDRW, USB, mouse, IR, looping
<b>A-XDP16E</b>	16-channel Digital Video Recorder, 240-ips, CDRW, USB archiving
<b>ML757</b>	17" LCD VGA-only, 1280x1024, black plastic case
<b>ML970W</b>	19" Wide LCD VGA-only, 1440x900, black plastic case
<b>ML2200W</b>	22" Wide LCD VGA-only, 1680x1050, black plastic case
<b>M170CP2</b>	17" LCD, VGA, BNC, SVHS, 1280x1024, black plastic case
<b>A-M170CP2D</b>	17" LCD, VGA, BNC, SVHS, 1280x1024, black plastic case
<b>M190CP2</b>	19" LCD, VGA, BNC, SVHS, 1280x1024, black plastic case
<b>A-M190CP2D</b>	19" LCD, VGA, BNC, SVHS, 1280x1024, black plastic case
<b>ML950F</b>	19" LCD, VGA, BNC, DVI, Audio, 1280x1024, black plastic case
<b>A-MC1574FN</b>	15" Color CRT, 500 TVL, 2-ch A/W, BNC, SVHS
<b>SCV2812ASIR</b>	Lens, 2.8~12mm Varifocal, DC auto-iris
<b>SCV5501DC</b>	Lens, 5~50mm Varifocal, DC auto-iris



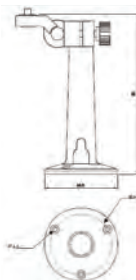
## RECOMMENDED LENSES

<b>SCV2812ASIR</b>	Lens, 2.8~12mm Varifocal, DC auto-iris
<b>SCV5501DC</b>	Lens, 5~50mm Varifocal, DC auto-iris



## OPTIONAL WALL / CEILING MOUNT

**CMD16W** Plastic mount 5.66" Long



ADT Always There®