

# S35CHPS36

## COLOR DAY/NIGHT BULLET CAMERA

### PRECAUTIONS



#### • Power Requirements

The equipment should be operated only with the type of power source indicated on the marking label. This camera is designed for use with a regulated 12V DC power source.

#### • Impedance

This camera is to be used with a standard 75 ohm impedance monitor. On monitors with both a high and standard impedance mode, ensure the impedance mode is set to standard

#### • Service

Do not attempt to service the camera yourself. There are no user serviceable parts inside.

Refer servicing to a qualified service technician.

#### • Light Exposure

Do not aim or point the camera towards the sun or into a bright light.

### SPECIFICATIONS

Image Device	1/3" super HAD SONY CCD
Signal System	60Hz
Effective Pixels	<b>768(H) X 494(V)</b>
Scanning System	2:1 Interlace
Sync System	Internal
Horizontal Resolution	More than <b>550TVL</b>
Sensitivity	0 Lux (IR LED ON)
S / N Ratio	More than 45dB (AGC OFF)
Gamma Correction	$\gamma = 0.45$
Video Output	Composite 1Vp-p, 75( $\Omega$ ) unbalanced
Electronic Shutter	1/60 ~ 1/100,000 sec Auto
Power Supply	12V DC( $\pm 10\%$ )
<b>IP Rate</b>	<b>IP67</b>
Operating Temperature	14° F ~ 104° F (-10°C ~ +40°C)
Storage Temperature	-22° F ~ 122° F (-30°C ~ +50°C)
Weight	6.27 oz (178g)
Dimension	37(mm) $\phi$ × 90(mm)
IR LED	6 Unit IR LED (10M beam length)
IR LED wavelength/half angle	850nm / $\pm 15$ degree
Lens	f 3.6mm board type lens.

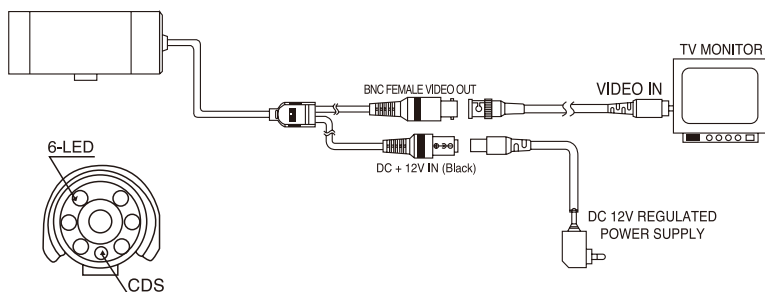
# CAMERA CONNECTIONS

The S35CHPS36 camera can be used in video systems with BNC.

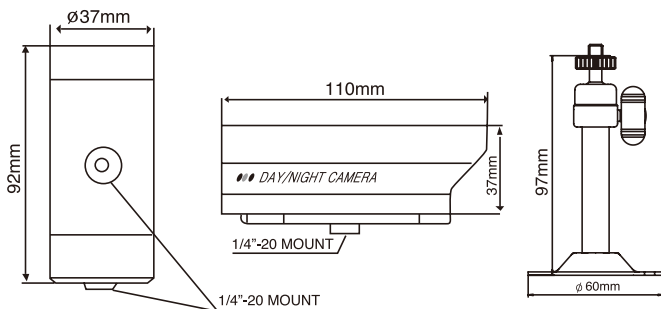
The cable on the camera has a BNC connection for video output and a power connector for a 12V DC power source.

The S35CHPS36 camera comes with the following accessories:

- Camera mount
- Adapter



# DIMENSIONS



**This device complies with Part 15 of the FCC Rules. Operation is subject to the following two conditions;**

1. This device may not cause harmful interference.
2. This device must accept any interference received, including interference that may cause undesired operation.

**Note** - This equipment has been tested and found to comply with limits for a Class B digital device, pursuant to part 15 of the FCC Rules. These limits are designed to provide reasonable protection against harmful interference in a residential installation.

This equipment generates, uses, and can radiate radio communications.

However, there is no guarantee that interference will not occur in a particular installation. If this equipment off and on, the user is encouraged to try to correct the interference by one or more of the following measures :

- Reorient or relocate the receiving antenna
- Increase the separation between the equipment and receiver.
- Connect the equipment into an outlet on a circuit different from that to which the receiver is connected.
- Consult the dealer or an experienced radio / tv technician for help.

**Caution** - Any changes or modifications in construction of this device which are not expressly approved by the party responsible for compliance could void the user's authority to operate the equipment.