

S230CWPS

COLOR BULLET CAMERA



PRECAUTIONS

• Power Requirements

The equipment should be operated only with the type of power source indicated on the marking label. This camera is designed for use with a regulated 12V DC power source.

• Impedance

The camera is to be used with a standard 75 ohm impedance monitor. On monitors with both a high and standard impedance mode, ensure the impedance mode is set to standard.

• Service

Do not attempt to service the camera yourself. There are no user serviceable parts inside. Refer servicing to a qualified service technician.

• Light Exposure

Do not aim or point the camera towards the sun or into a bright light.

SPECIFICATIONS

Image Device	1/3" Super HAD SONY CCD
Signal System	60Hz
Effective Pixels	510(H) × 492(V)
Scanning System	2:1 Interlace
Sync System	Internal
Horizontal Resolution	More than 380 TV Line
Sensitivity	0.5 Lux / F 2.0
S / N Ratio	More than 48dB
Gamma Correction	$\gamma = 0.45$
Video Output	Composite 1[Vp-p], 75(Ω) unbalanced
Electronic Shutter	1/60 ~ 1/100,000 sec Auto
Power Supply	12V DC ($\pm 10\%$)
Operating Temperature	14° F ~ 104° F (-10°C ~ +40°C)
Storage Temperature	-22° F ~ 122° F (-30°C ~ +50°C)
Weight	2.65 oz (75g)
Dimensions	23(mm) ϕ × 75(mm)
Lens	f 3.6mm fixed focal board type lens.

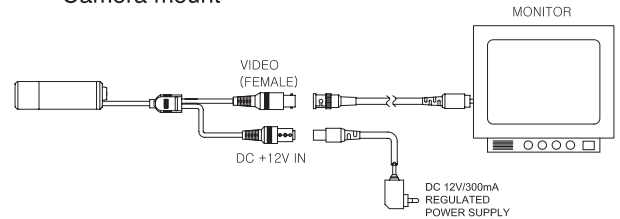
CAMERA CONNECTIONS

The S230CWPS camera can be used in video systems with BNC.

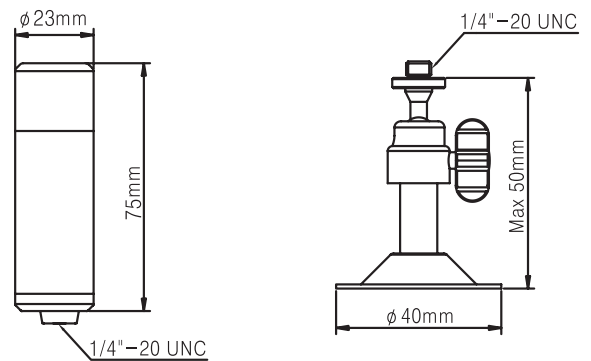
The cable on the camera has a BNC connection for video output and a power connector for a 12V DC power source.

The S230CWPS camera comes with the following cables and accessories:

- Adapter
- Camera mount



DIMENSIONS



This device complies with Part 15 of the FCC Rules. Operation is subject to the following two conditions;

1. This device may not cause harmful interference.
2. This device must accept any interference received, including interference that may cause undesired operation.

Note - This equipment has been tested and found to comply with limits for a Class B digital device, pursuant to part 15 of the FCC Rules. These limits are designed to provide reasonable protection against harmful interference in a residential installation.

This equipment generates, uses, and can radiate radio communications. However, there is no guarantee that interference will not occur in a particular installation. If this equipment off and on, the user is encouraged to try to correct the interference by one or more of the following measures :

- Reorient or relocate the receiving antenna
- Increase the separation between the equipment and receiver.
- Connect the equipment into an outlet on a circuit different from that to which the receiver is connected.
- Consult the dealer or an experienced radio / tv technician for help.

Caution - Any changes or modifications in construction of this device which are not expressly approved by the party responsible for compliance could void the user's authority to operate the equipment.

This goods does not apply to UL (Underwriters Laboratories).