

COLOR COVERT PIR CAMERA



A-CC54PIR

COLOR COVERT PIR CAMERA

PRINTED IN KOREA

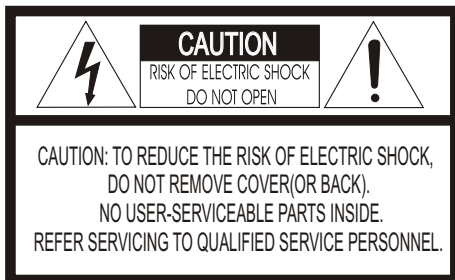
50302524A

Please read this manual thoroughly before use, and keep it handy for future reference.

WARNINGS AND CAUTIONS:

TO REDUCE THE RISK OF FIRE OR ELECTRIC SHOCK, DO NOT EXPOSE THIS PRODUCT TO RAIN OR MOISTURE. DO NOT INSERT ANY METALLIC OBJECTS THROUGH THE VENTILATION GRILLS OR OTHER OPENINGS ON THE EQUIPMENT.

CAUTION:



EXPLANATION OF GRAPHICAL SYMBOLS



The lightning flash with arrowhead symbol, within an equilateral triangle, is intended to alert the user to the presence of uninsulated "dangerous voltage" within the product's enclosure that may be of sufficient magnitude to constitute a risk of electric shock to persons.



The exclamation point within an equilateral triangle is intended to alert the user to the presence of important operating and maintenance (servicing) instructions in the literature accompanying the product.

PRECAUTIONS

Safety -----
Should any liquid or solid object fall into the cabinet, unplug the unit and have it checked by the qualified personnel before operating it any further.

Unplug the unit from the wall outlet if it is not going to be used for several days or more. To disconnect the cord, pull it out by the plug. Never pull the cord itself.

Allow adequate air circulation to prevent internal heat build-up. Do not place the unit on surfaces (rugs, blankets, etc.) or near materials (curtains, draperies) that may block the ventilation holes.

Height and vertical linearity controls located at the rear panel are for special adjustments by qualified personnel only.

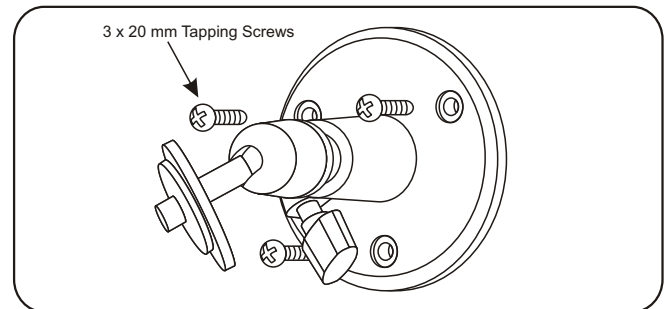
Installation -----
Do not install the unit in an extremely hot or humid place or in a place subject to excessive dust, mechanical vibration.

The unit is not designed to be waterproof. Exposure to rain or water may damage the unit.

Cleaning -----
Clean the unit with a slightly damp soft cloth. Use a mild household detergent. Never use strong solvents such as thinner or benzene as they might damage the finish of the unit.

Retain the original carton and packing materials for safe transport of this unit in the future.

HOW TO INSTALL THE MOUNTING BRACKET



The mounting bracket must be mounted to a structural member such as a wall or ceiling rafter using suitable plate surface. To install the mounting bracket to a structural member using the three 3 x 20 mm tapping screws through the three 3 mm holes of the mounting bracket. Maximum recommended load is 5.5kg (12lb). Select a suitable location for the camera. Install the camera stand or mounting bracket in the selected location using a suitable fastener. The camera stand or mounting bracket must be attached to a structural object, such as a hard wood, wall stud or ceiling rafter, that supports the weight of the camera and mount.

SPECIFICATIONS

	MODEL	COLOR COVERT PIR CAMERA
Power	Power source	15 VDC (From Monitor)
	Power consumption	2.0Watts
General	Image sensor	1/3" SONY Super HAD CCD
	Active Pixels (H x V)	768(H) x 494(V)
	Resolution	540 Lines
	Min. illumination	0.25 lux 50IRE (F1.2)
	Signal to Noise	More than 48 dB (AGC ON)
	Gamma Correction	0.45
	AGC	Internal, Automatic
	Electronic Iris	1.60 ~ 1/100,000 Sec.
	Signal Format	525 Lines, 2:1 Interlace
	Scanning Frequency(H / V)	15.734KHz / 59.94Hz
Connector & etc.	Video Output	1.0 Vp-p (75 Ohms)
	Lens	5.5mm
	Ambient Temperature	14°F to 122°F (-10°C to 50°C)
	Ambient Humidity	0 ~ 96% Non-condensing

IMPORTANT SAFEGUARDS

1. Read these instructions.
2. Keep these instructions.
3. Heed all warnings.
4. Follow all instructions.
5. Do not use this apparatus near water.
6. Clean only with dry cloth.
7. Do not block any ventilation openings. Install in accordance with the manufacturer's instructions.
8. Do not install near any heat sources such as radiators, heat registers, stoves, or other apparatus (including amplifiers) that product heat.
9. Do not defeat the safety purpose of the polarized or grounding-type Plug. A polarized plug has two blades with one wider than the other. A grounding type plug has two blades and a third grounding prong. The wide blade or the third prong are provided for your safety. If the provided plug does not fit into your outlet, consult an electrician for replacement of the obsolete outlet.
10. Protect the power cord from being walked on or pinched particularly at plugs, convenience receptacles, and the point where they exit from the apparatus.
11. Only use attachments/accessories specified by the manufacturer.
12. Unplug this apparatus during lightning storms or when unused for long periods of time.
13. Refer all servicing to qualified service personnel. Servicing is required when the apparatus has been damaged in any way, such as power-supply cord or plug is damaged, liquid has been spilled or objects have fallen into the apparatus, the apparatus has been exposed to rain or moisture, does not operate normally, or has been dropped.
14. CAUTION - THESE SERVICING INSTRUCTIONS ARE FOR USE BY QUALIFIED SERVICE PERSONNEL ONLY. TO REDUCE THE RISK OF ELECTRIC SHOCK DO NOT PERFORM ANY SERVICING OTHER THAN THAT CONTAINED IN THE OPERATING INSTRUCTIONS UNLESS YOU ARE QUALIFIED TO DO SO.
15. Use Certified/Listed Class 2 power source only.

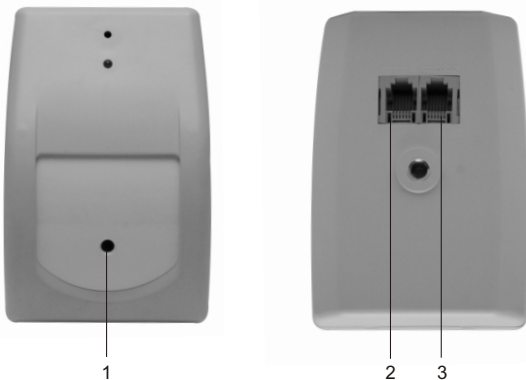
- 2 -

FEATURES

- CCD image Sensor** This is the part of the camera that produce a high quality picture.
- Wide Angle 5.5mm Lens** Allows a large area to be monitored from a single camera.
- Electronic Iris** Automatically adjusts the camera for changes in lighting to ensure an optimal picture at all times.
- Accessory Input**

WARNING: TO REDUCE THE RISK OF FIRE OR ELECTRIC SHOCK, DO NOT EXPOSE THIS PRODUCT TO RAIN OR MOISTURE. DO NOT INSERT ANY METALLIC OBJECT THROUGH VENTILATION GRILLS.

CONTROLS



1. Wide Angle 5.5mm Lens Allows a wide area to be monitored.
2. Camera Port The cable from the monitor plugs into this port.
3. Accessory Port Accessories are plugged into this port. Motion sensors, alarm contact are available separately.



- 4 -

FCC COMPLIANCE STATEMENT

INFORMATION TO THE USER: THIS EQUIPMENT HAS BEEN TESTED AND FOUND TO COMPLY WITH THE LIMITS FOR A CLASS B DIGITAL DEVICE, PURSUANT TO PART 15 OF THE FCC RULES. THESE LIMITS ARE DESIGNED TO PROVIDE REASONABLE PROTECTION AGAINST HARMFUL INTERFERENCE IN A RESIDENTIAL INSTALLATION. THIS EQUIPMENT GENERATES, USES AND CAN RADIATE RADIO FREQUENCY ENERGY AND, IF NOT INSTALLED AND USED IN ACCORDANCE WITH THE INSTRUCTIONS, MAY CAUSE HARMFUL INTERFERENCE TO RADIO COMMUNICATIONS. HOWEVER, THERE IS NO GUARANTEE THAT INTERFERENCE WILL NOT OCCUR IN A PARTICULAR INSTALLATION. IF THIS EQUIPMENT DOES CAUSE HARMFUL INTERFERENCE TO RADIO OR TELEVISION RECEPTION, WHICH CAN BE DETERMINED BY TURNING THE EQUIPMENT OFF AND ON, THE USER IS ENCOURAGED TO TRY TO CORRECT THE INTERFERENCE BY ONE OR MORE OF THE FOLLOWING MEASURES:

- REORIENT OR RELOCATE THE RECEIVING ANTENNA
- INCREASE THE SEPARATION BETWEEN THE EQUIPMENT AND RECEIVER
- CONNECT THE EQUIPMENT INTO AN OUTLET ON A CIRCUIT DIFFERENT FROM THAT TO WHICH THE RECEIVER IS CONNECTED
- CONSULT THE DEALER OR AN EXPERIENCED RADIO/TV TECHNICIAN FOR HELP

CAUTION: CHANGES OR MODIFICATIONS NOT EXPRESSLY APPROVED BY THE MANUFACTURED COULD VOID THE USER'S AUTHORITY TO OPERATE THE EQUIPMENT.


THIS CLASS B DIGITAL APPARATUS MEETS ALL REQUIREMENTS OF THE CANADIAN INTERFERENCE-CAUSING EQUIPMENT REGULATIONS.

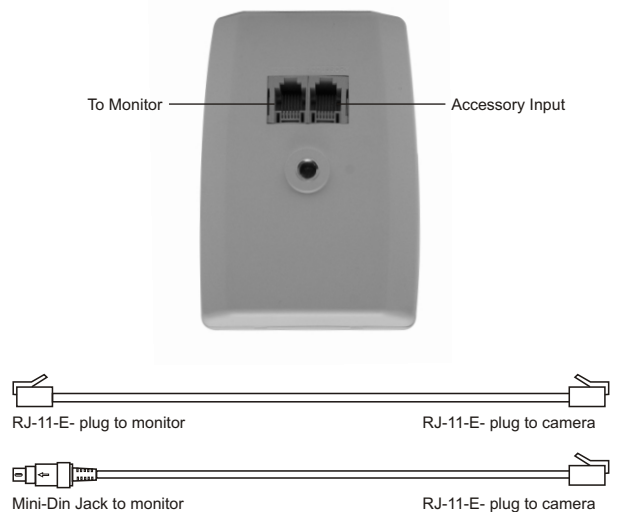
CET APPAREIL NUMÉRIQUE DE LA CLASSE B RESPECTE TOUTES LES EXIGENCES DU RÈGLEMENT SUR LE MATÉRIEL BROUILLER DU CANADA.

- 3 -

INSTALLATION

1. Unpack and identify the following parts from the shipping container:
 - a. Camera
 - b. Camera Cable
 - c. Instruction Manual
2. The camera cables have RJ-11-E plugs, which are similar to those on telephone cables to ensure an easy installation. Simply plug one end of the cable into the camera (see camera port above) and the other end into the camera port on the rear of the monitor (CA1, CA2, etc.).

 **NOTE:** Make sure monitor power is turned off when connecting cameras.



- 5 -